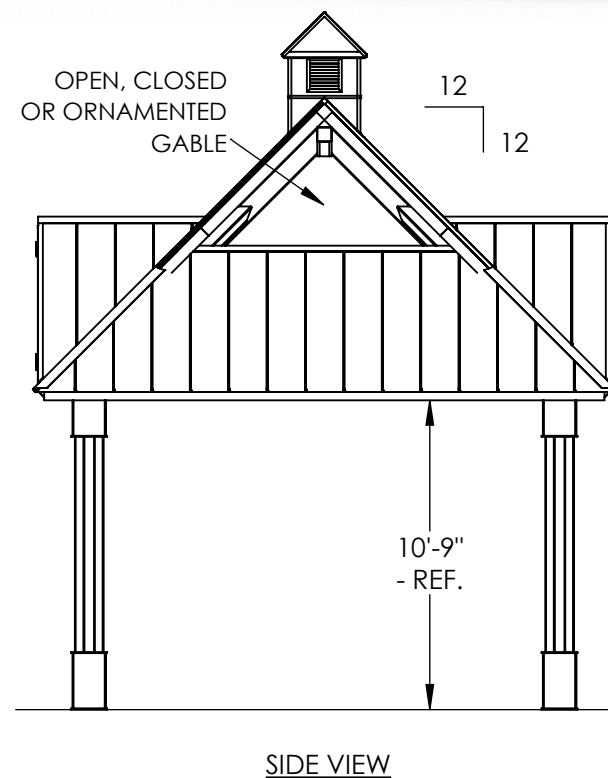
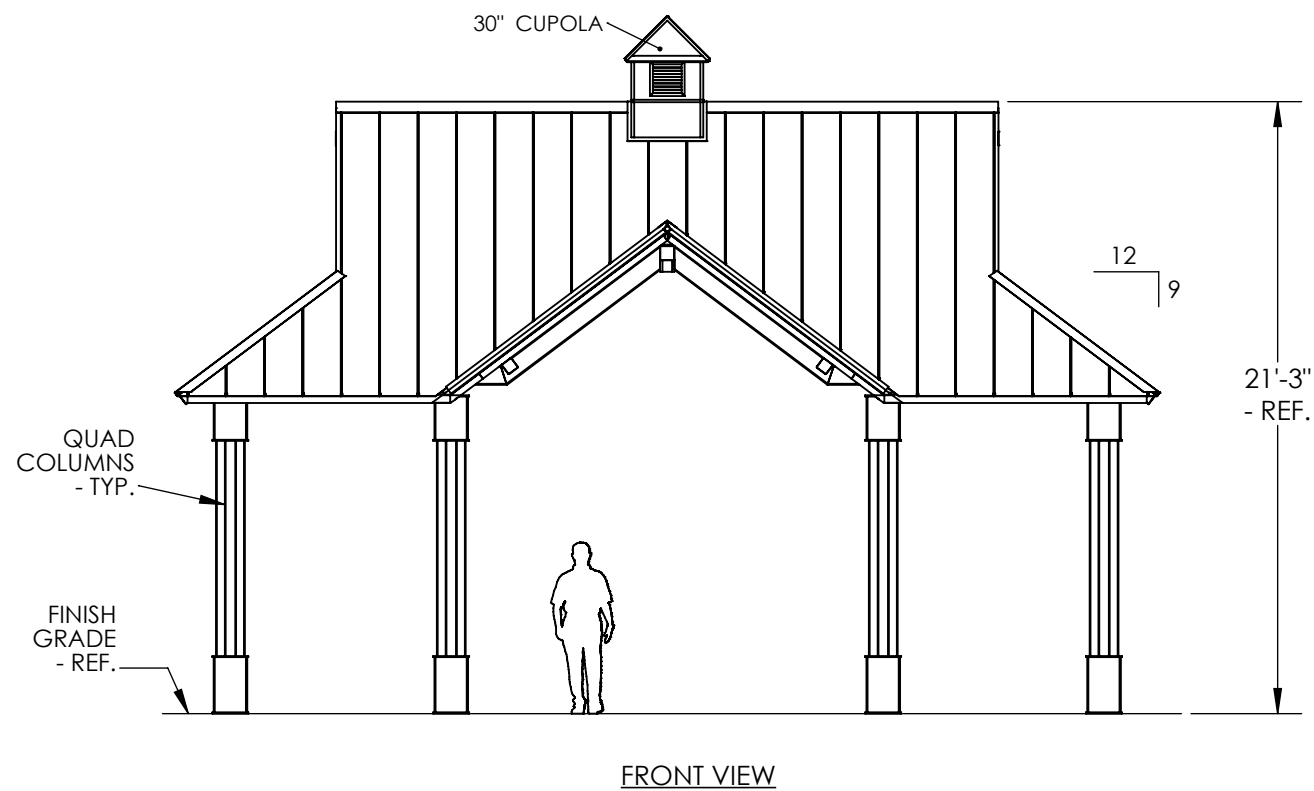
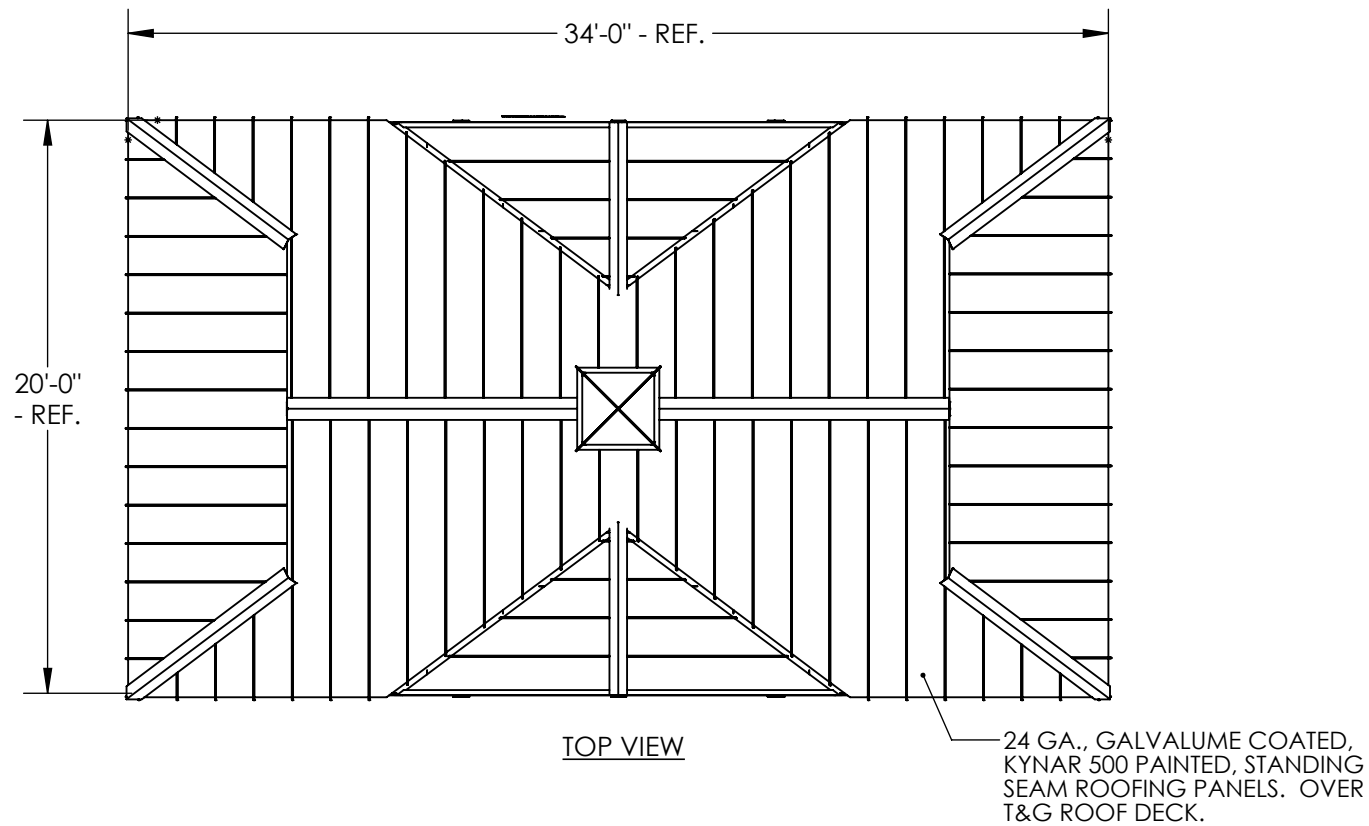


THIS IS A CONCEPT DRAWING, DIMENSIONS SHOWN ARE REPRESENTATIVE. TO ADAPT THIS CONCEPT TO MEET PROJECT SPECIFIC DESIGN REQUIREMENTS, FORWARD YOUR REQUEST TO POLIGON CUSTOMER SERVICE.



PORTERCORP HAS EARNED A **PCI-4000 CERTIFICATION** FROM THE GLOBALLY RECOGNIZED POWDER COATING INSTITUTE (PCI). PCI-4000 IS A QUALITY MANAGEMENT STANDARD AND CERTIFICATION SET. AS A CERTIFIED COATER, THIS PROGRAM MAKES PORTERCORP A LEADER IN THE INDUSTRY.

FRAME AND ORNAMENTATION FINISH: MEMBERS SHOT BLASTED TO NEAR WHITE CONDITION (SSPC SP-10), WASHED AND SEALED IN A PHOSPHATE SPRAY, COATED WITH A SPECIAL EPOXY PRIMER POWDER COAT BASE, COATED WITH A SUPER DURABLE TGIC POLYESTER POWDER AND OVEN CURED.
OPTIONAL UNDERCOAT: EPOXY E-COAT SYSTEM, USING FULL IMMERSION ELECTRO-DEPOSITION PROCESS.
 SEE COLOR MATRIX (WWW.POLIGON.COM) FOR AVAILABLE COLORS.



SHELTER MODEL:
DB8: 20 X 34
 STEEL SHELTER COLLECTION

poligon[®]

www.poligon.com
 616-399-1963
 PORTERCORP, 4240 N. 136TH AVE.
 HOLLAND, MI 49424

PORTER CORP.
 A PLAYCORE Company