

**FRAME AND ORNAMENTATION FINISH:**

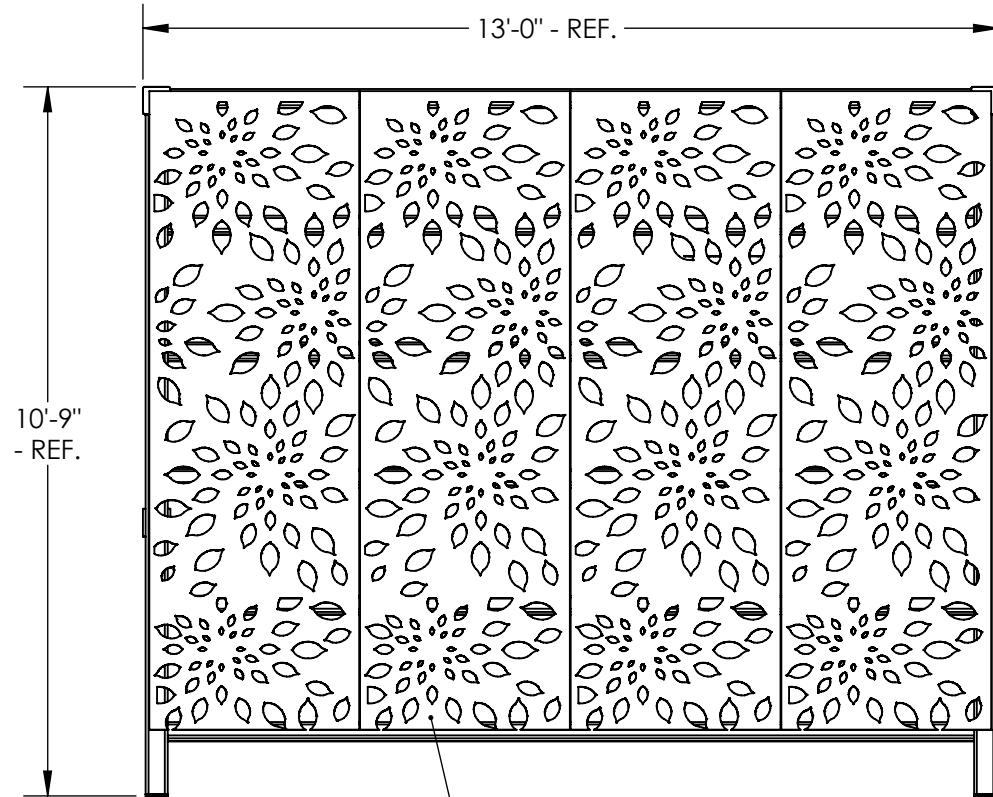
MEMBERS SHOT BLASTED TO NEAR WHITE CONDITION (SSPC SP-10), WASHED AND SEALED IN A PHOSPHATE SPRAY, COATED WITH AN EPOXY PRIMER POWDER COAT BASE, OVER COATED WITH A SUPER DURABLE TGIC POLYESTER POWDER AND OVEN CURED.  
SEE COLOR MATRIX (WWW.POLIGON.COM) FOR AVAILABLE COLORS.



PORTERCORP HAS EARNED A **PCI-4000 CERTIFICATION** FROM THE GLOBALLY RECOGNIZED POWDER COATING INSTITUTE (PCI). QUALITY FINISHING IS CRUTAL TO THE LONG TERM PERFORMANCE OF SHELTER STRUCTURES. THIS CERTIFICATION UNDERSCORES THE COMMITMENT PORTERCORP HAS MADE TO MANUFACTURING QUALITY PRODUCTS.

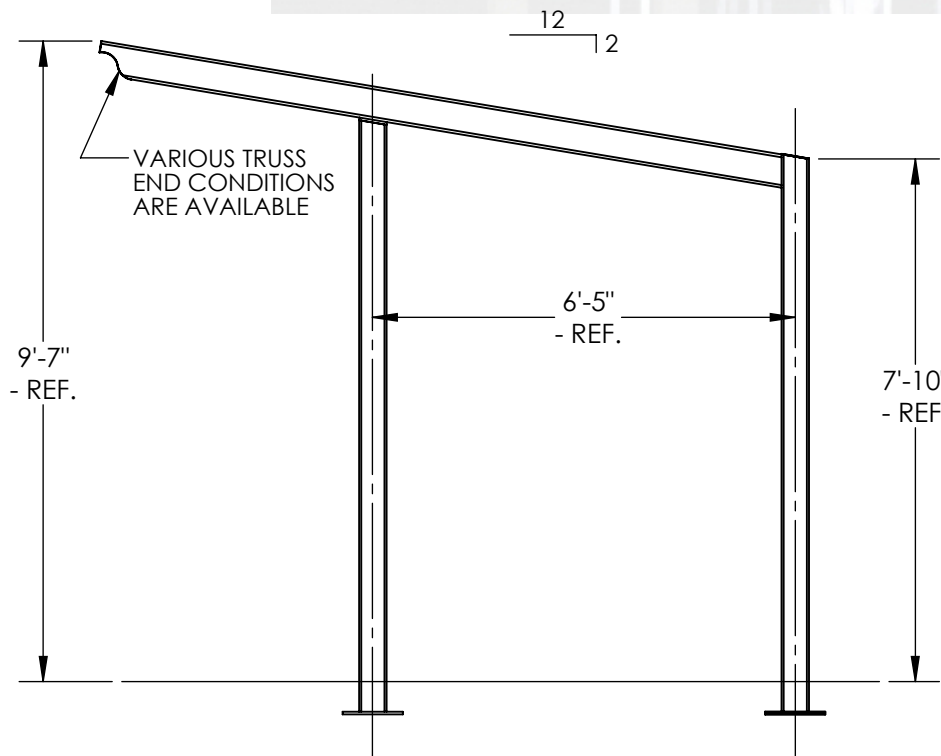
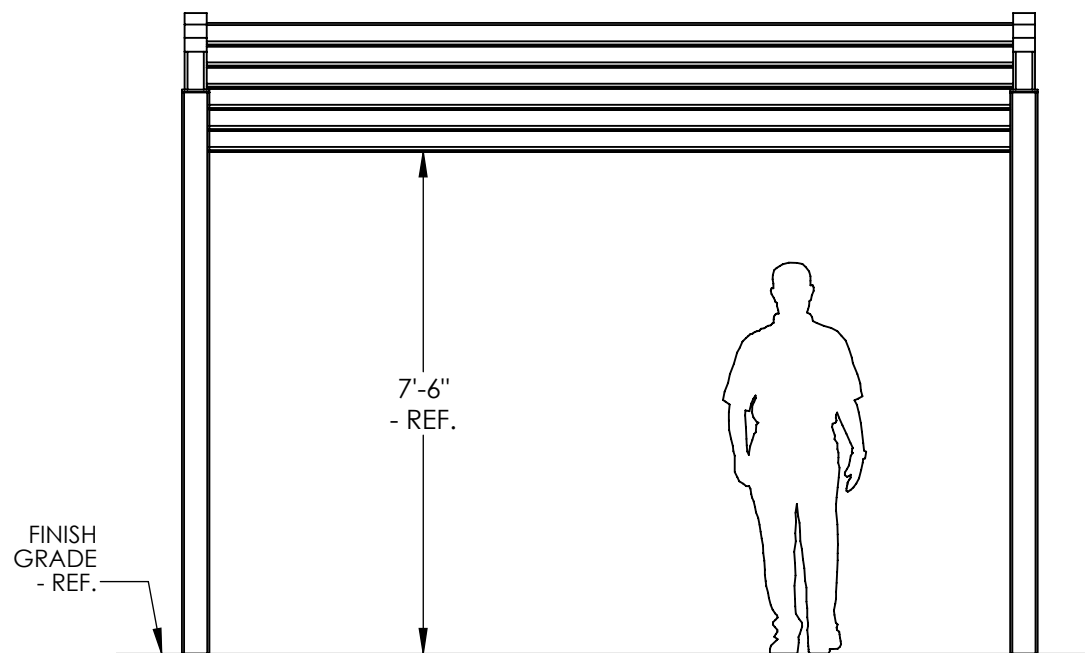


The Parasoleil pattern(s) depicted is protected under copyright law. Copying, modifying, or unauthorized use of this pattern is strictly prohibited.



ALUMINUM PARASOLEIL LASER CUT SHADE PANEL - LEMON DROP PATTERN SHOWN. 20+ PATTERNS AND 9 POWDER COAT FINISHES AVAILABLE.

NOTE: STRUCTURE SHOWN IS REPRESENTATIONAL. LENGTH WIDTH, HEIGHT AND ROOF PITCH CAN BE MODIFIED TO SUIT REQUIREMENTS.



SHELTER MODEL:  
**DB-59: 11 X 12 MONOSLOPE  
PARASOLEIL COLLECTION**



PORTERCORP, 4240 N. 136th AVE,  
HOLLAND, MI 49424  
[www.poligon.com](http://www.poligon.com)  
616-399-1963

