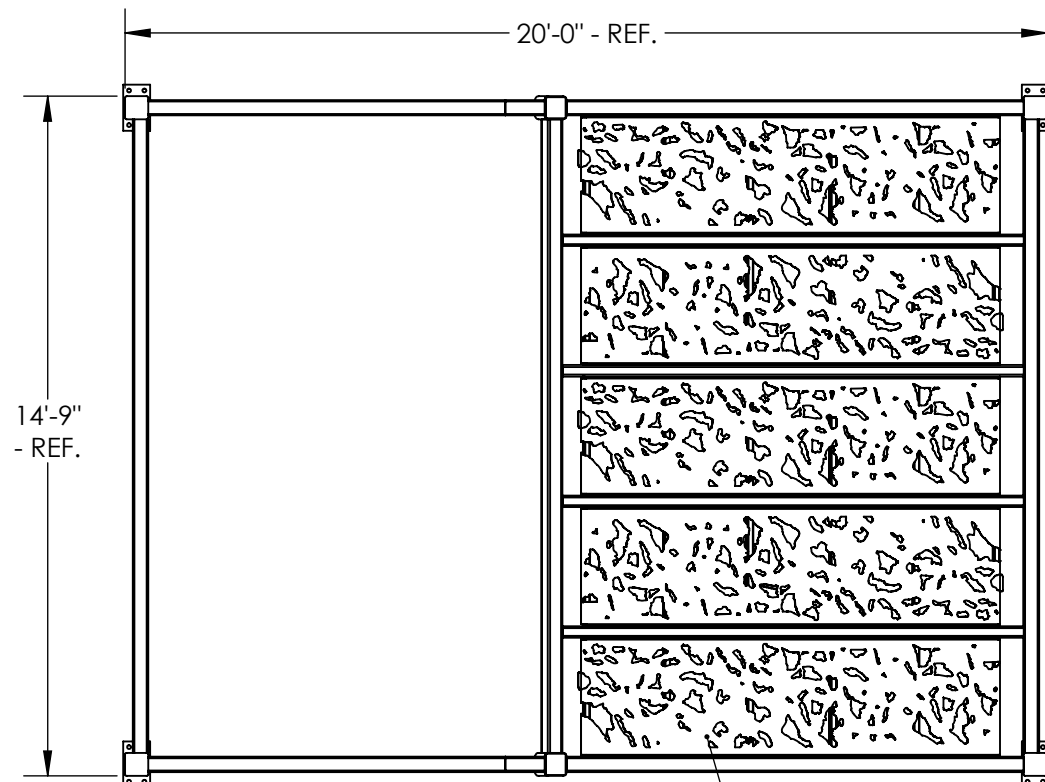


THIS IS A CONCEPT DRAWING, DIMENSIONS SHOWN ARE REPRESENTATIVE. TO ADAPT THIS CONCEPT TO MEET PROJECT SPECIFIC DESIGN REQUIREMENTS, FORWARD YOUR REQUEST TO POLIGON CUSTOMER SERVICE.



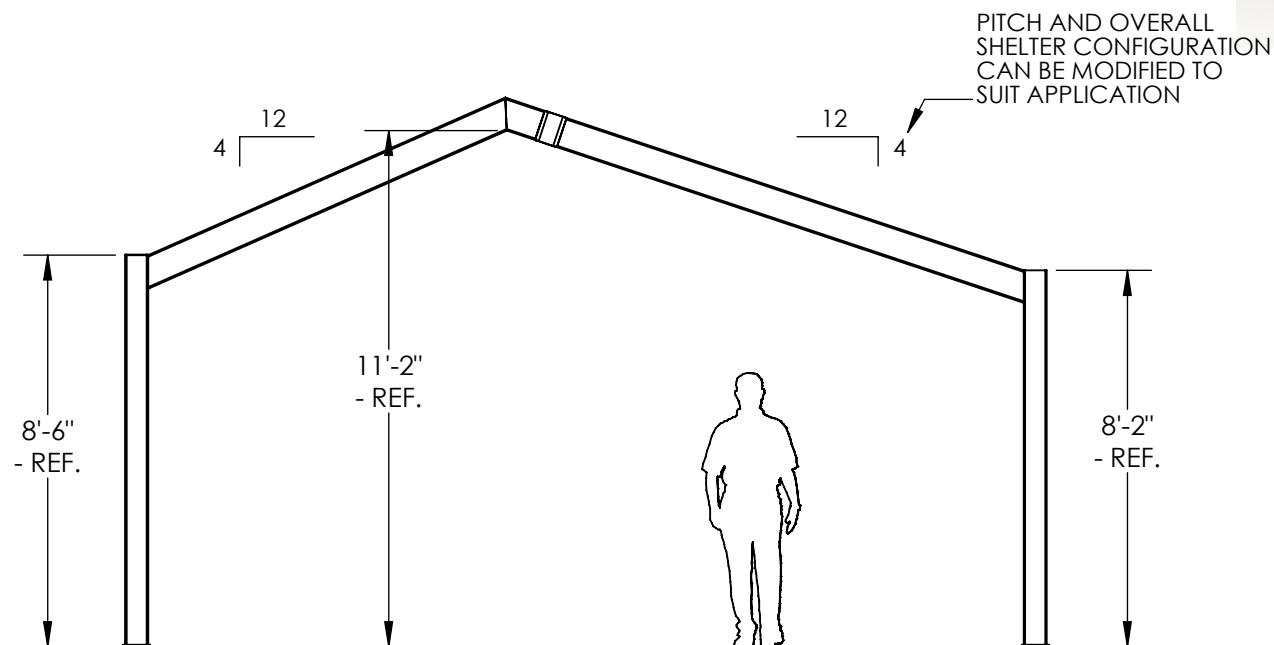
PORTERCORP HAS EARNED A **PCI-4000 CERTIFICATION** FROM THE GLOBALLY RECOGNIZED POWDER COATING INSTITUTE (PCI). QUALITY FINISHING IS CRUTAL TO THE LONG TERM PERFORMANCE OF SHELTER STRUCTURES. THIS CERTIFICATION UNDERSCORES THE COMMITMENT PORTERCORP HAS MADE TO MANUFACTURING QUALITY PRODUCTS.

**FRAME AND ORNAMENTATION FINISH:** MEMBERS SHOT BLASTED TO NEAR WHITE CONDITION (SSPC SP-10), WASHED AND SEALED IN A PHOSPHATE SPRAY, COATED WITH AN EPOXY PRIMER POWDER COAT BASE, OVER COATED WITH A SUPER DURABLE TGIC POLYESTER POWDER AND OVEN CURED. SEE COLOR MATRIX ([WWW.POLIGON.COM](http://WWW.POLIGON.COM)) FOR AVAILABLE COLORS.



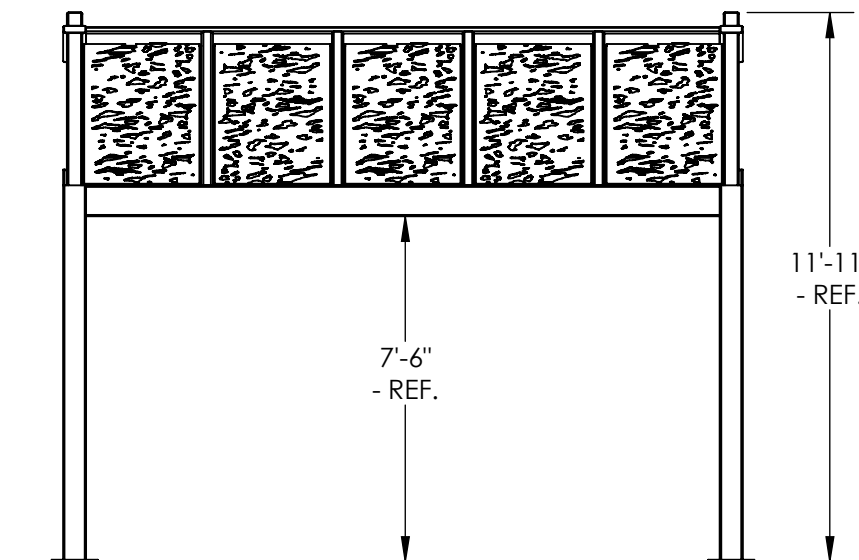
TOP VIEW

ALUMINUM PARASOLEIL LASER CUT SHADE PANEL - WINTER BRANCHES PATTERN SHOWN. 20 PATTERNS AND 9 POWDER COAT FINISHES AVAILABLE.



END ELEVATION

PITCH AND OVERALL SHELTER CONFIGURATION CAN BE MODIFIED TO SUIT APPLICATION



ELEVATION

**Parasoleil**  
The Parasoleil pattern(s) depicted is protected under copyright law. Copying, modifying, or unauthorized use of this pattern is strictly prohibited.

SHELTER MODEL:  
**DB-57: 15 X 20 TRELLIS PARASOLEIL COLLECTION**



[www.poligon.com](http://www.poligon.com)  
616-399-1963  
PORTERCORP, 4240 N. 136th AVE.  
HOLLAND, MI 49424

