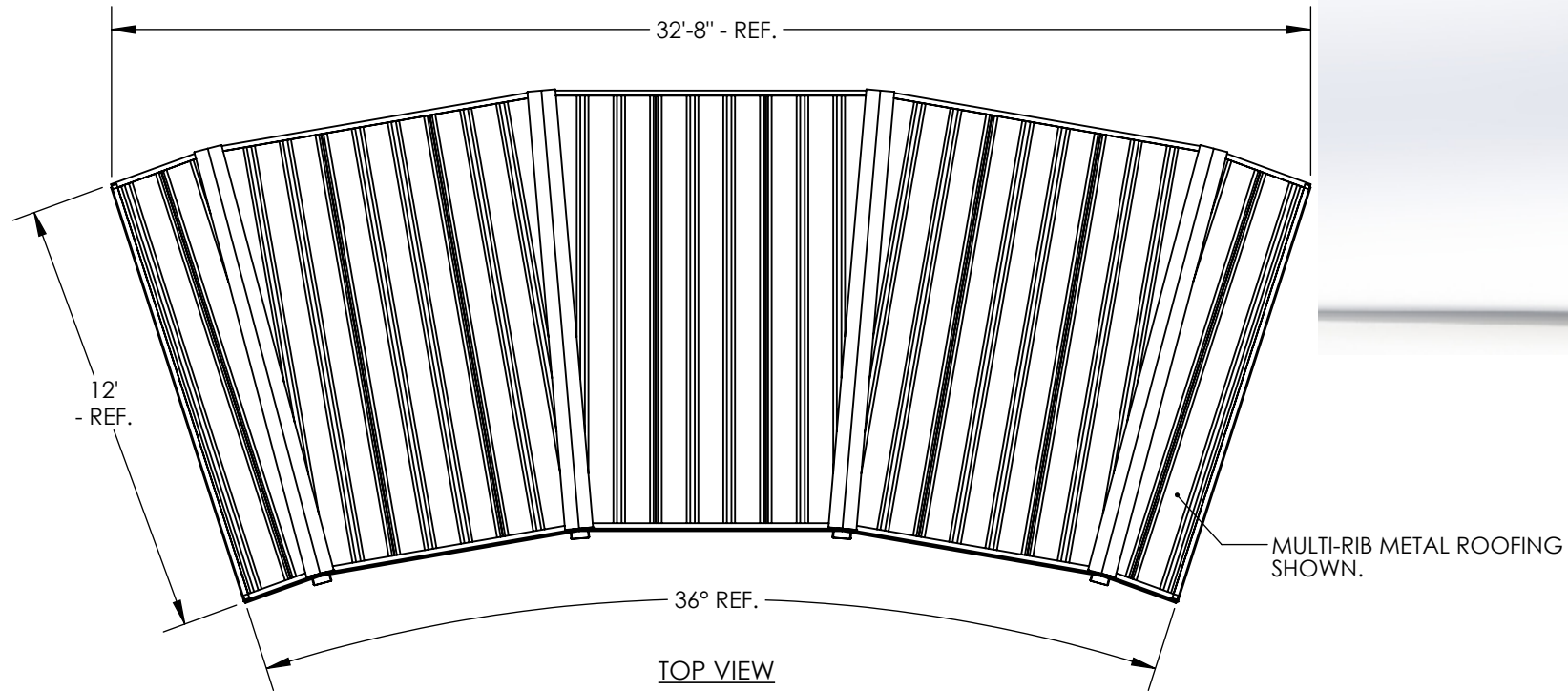


THIS IS A CONCEPT DRAWING, DIMENSIONS SHOWN ARE REPRESENTATIVE. TO ADAPT THIS CONCEPT TO MEET PROJECT SPECIFIC DESIGN REQUIREMENTS, FORWARD YOUR REQUEST TO POLIGON CUSTOMER SERVICE.

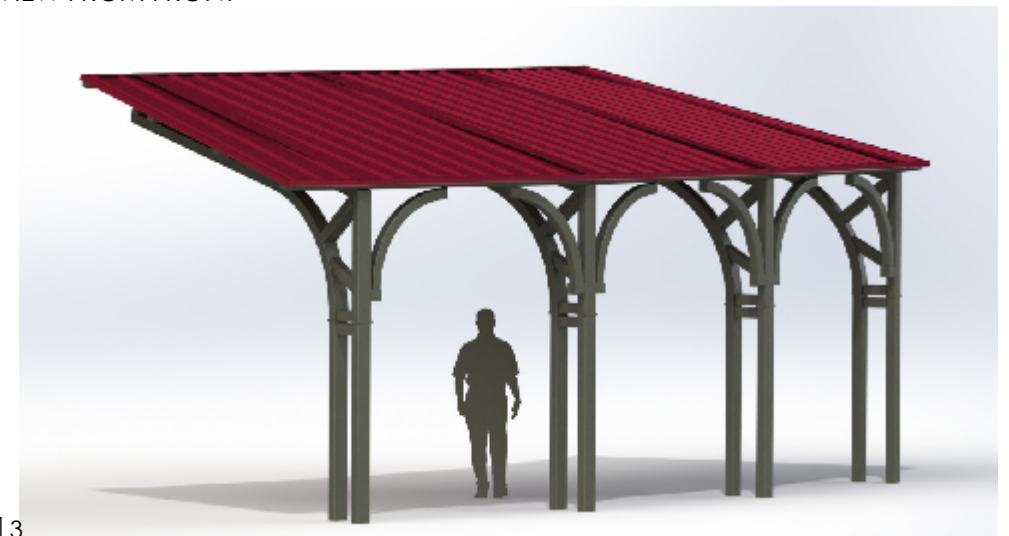


PORTERCORP HAS EARNED A **PCI-4000 CERTIFICATION** FROM THE GLOBALLY RECOGNIZED POWDER COATING INSTITUTE (PCI). QUALITY FINISHING IS CRUTAL TO THE LONG TERM PERFORMANCE OF SHELTER STRUCTURES. THIS CERTIFICATION UNDERSCORES THE COMMITMENT PORTERCORP HAS MADE TO MANUFACTURING QUALITY PRODUCTS.

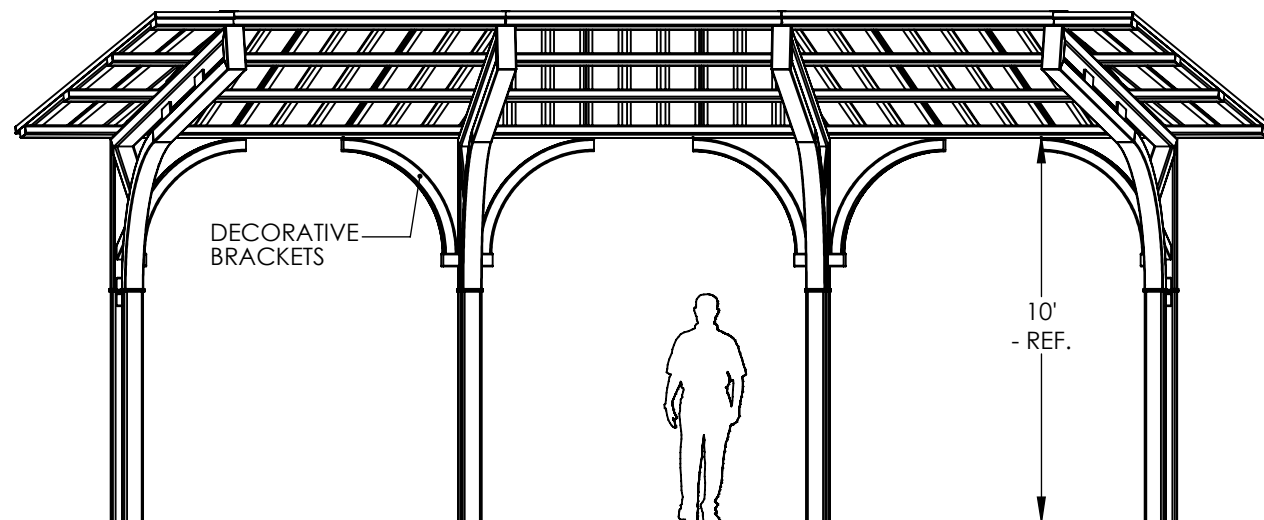
**FRAME AND ORNAMENTATION FINISH:** MEMBERS SHOT BLASTED TO NEAR WHITE CONDITION (SSPC SP-10), WASHED AND SEALED IN A PHOSPHATE SPRAY, COATED WITH A SPECIAL EPOXY PRIMER POWDER COAT BASE, COATED WITH A SUPER DURABLE TGIC POLYESTER POWDER AND OVEN CURED. SEE COLOR MATRIX ([WWW.POLIGON.COM](http://WWW.POLIGON.COM)) FOR AVAILABLE COLORS.



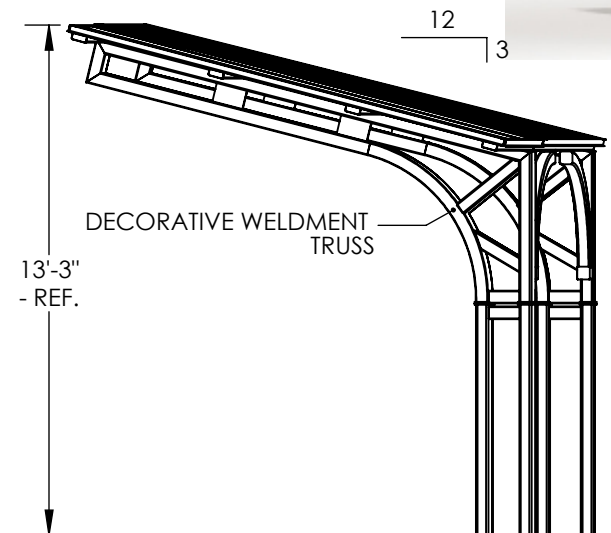
VIEW FROM FRONT



VIEW FROM REAR



FRONT ELEVATION



SIDE ELEVATION

SHELTER MODEL:  
**DB-44: CUSTOM SHELTER**  
**STEEL SHELTER COLLECTION**



[www.poligon.com](http://www.poligon.com)

616-399-1963

PORTERCORP, 4240 N. 136th AVE.  
 HOLLAND, MI 49424

