

THIS IS A CONCEPT DRAWING, DIMENSIONS SHOWN ARE REPRESENTATIVE. TO ADAPT THIS CONCEPT TO MEET PROJECT SPECIFIC DESIGN REQUIREMENTS, FORWARD YOUR REQUEST TO POLIGON CUSTOMER SERVICE.

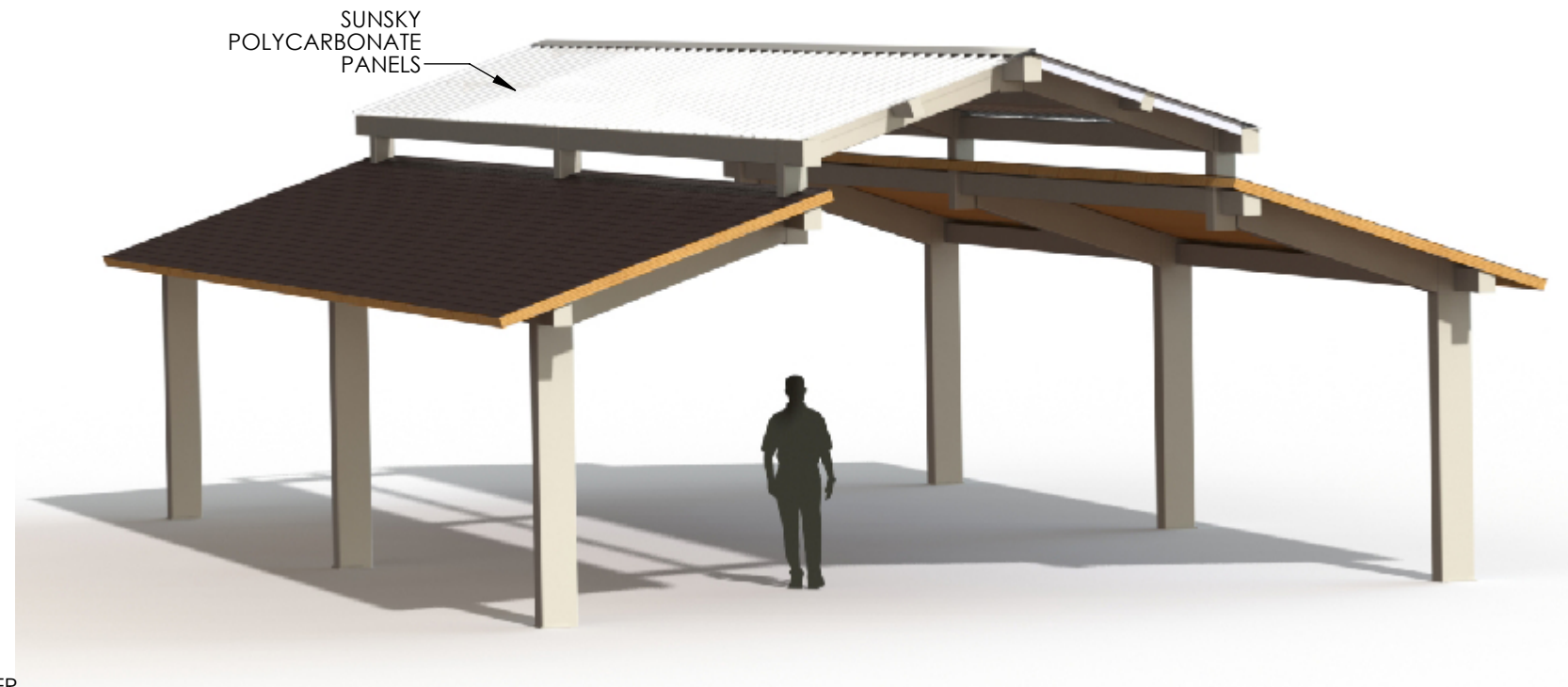
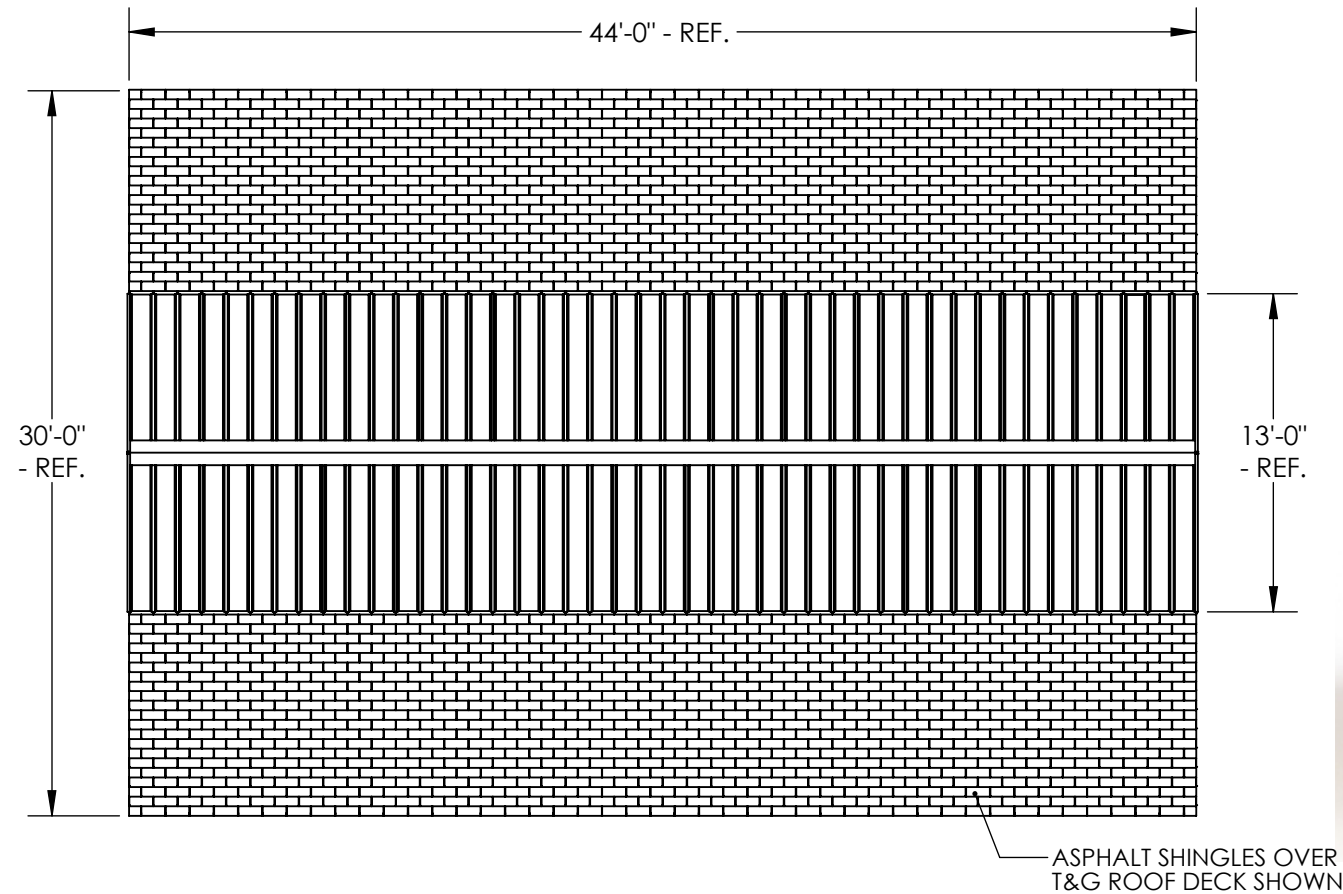


PORTERCORP HAS EARNED A **PCI-4000 CERTIFICATION** FROM THE GLOBALLY RECOGNIZED POWDER COATING INSTITUTE (PCI). PCI-4000 IS A QUALITY MANAGEMENT STANDARD AND CERTIFICATION SET. AS A CERTIFIED COATER, THIS PROGRAM MAKES PORTERCORP A LEADER IN THE INDUSTRY.

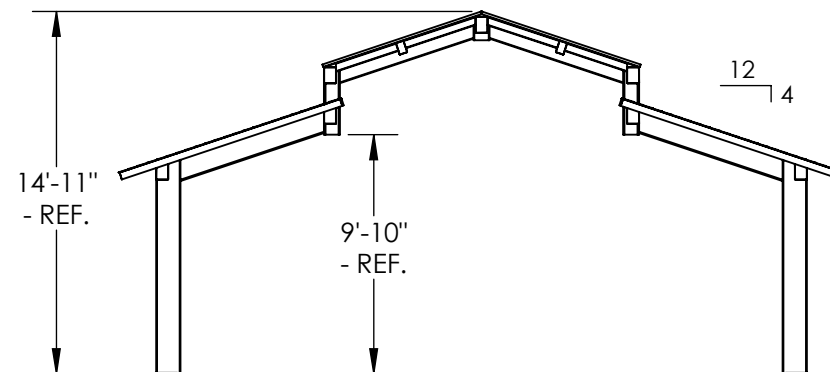
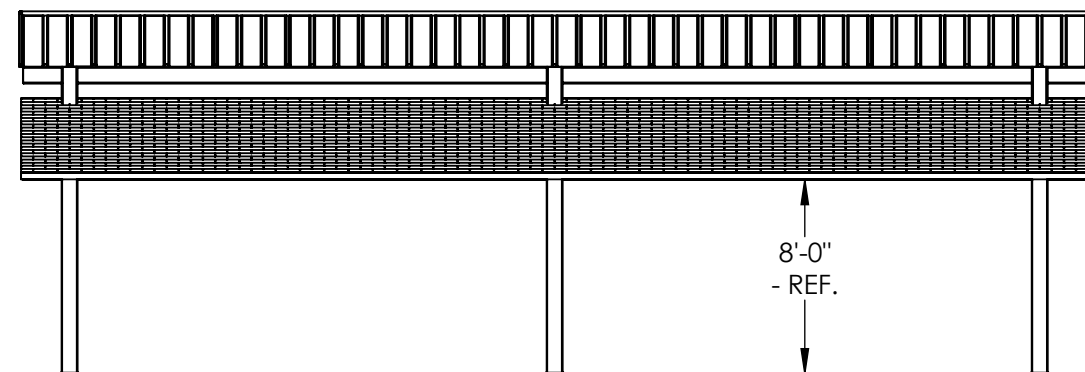
FRAME AND ORNAMENTATION FINISH: MEMBERS SHOT BLASTED TO NEAR WHITE CONDITION (SSPC SP-10), WASHED AND SEALED IN A PHOSPHATE SPRAY, COATED WITH A SPECIAL EPOXY PRIMER POWDER COAT BASE, COATED WITH A SUPER DURABLE TGIC POLYESTER POWDER AND OVEN CURED.
OPTIONAL UNDERCOAT: EPOXY E-COAT SYSTEM, USING FULL IMMERSION ELECTRO-DEPOSITION PROCESS.
 SEE COLOR MATRIX (WWW.POLIGON.COM) FOR AVAILABLE COLORS.

SUNSKY TRANSLUCENT PANELING
 SOFT WHITE (85% LIGHT TRANSMISSION)

SUNSKY TRANSLUCENT PANELS ARE AVAILABLE TO FOR INSTALLATION ON REK AND CHE MODEL SHELTERS OF ALL SIZES. CONTACT YOUR POLIGON REPRESENTATIVE FOR ADDITIONAL DETAILS.



PATENTED AND/OR PATENTS PENDING. COPYRIGHT 2007 PORTERCORP HOLLAND, MI 49424



SHELTER MODEL:
DB-36: 30X44 DAYLIT SHELTER
 STEEL SHELTER COLLECTION

poligon[®]

www.poligon.com
 616-399-1963
 PORTERCORP, 4240 N. 136th AVE.
 HOLLAND, MI 49424

PORTER CORP.
 A **FLAYCORE** Company

Copyright laws protect the style and visual appearance of the structure while patents may protect other parts of the design.