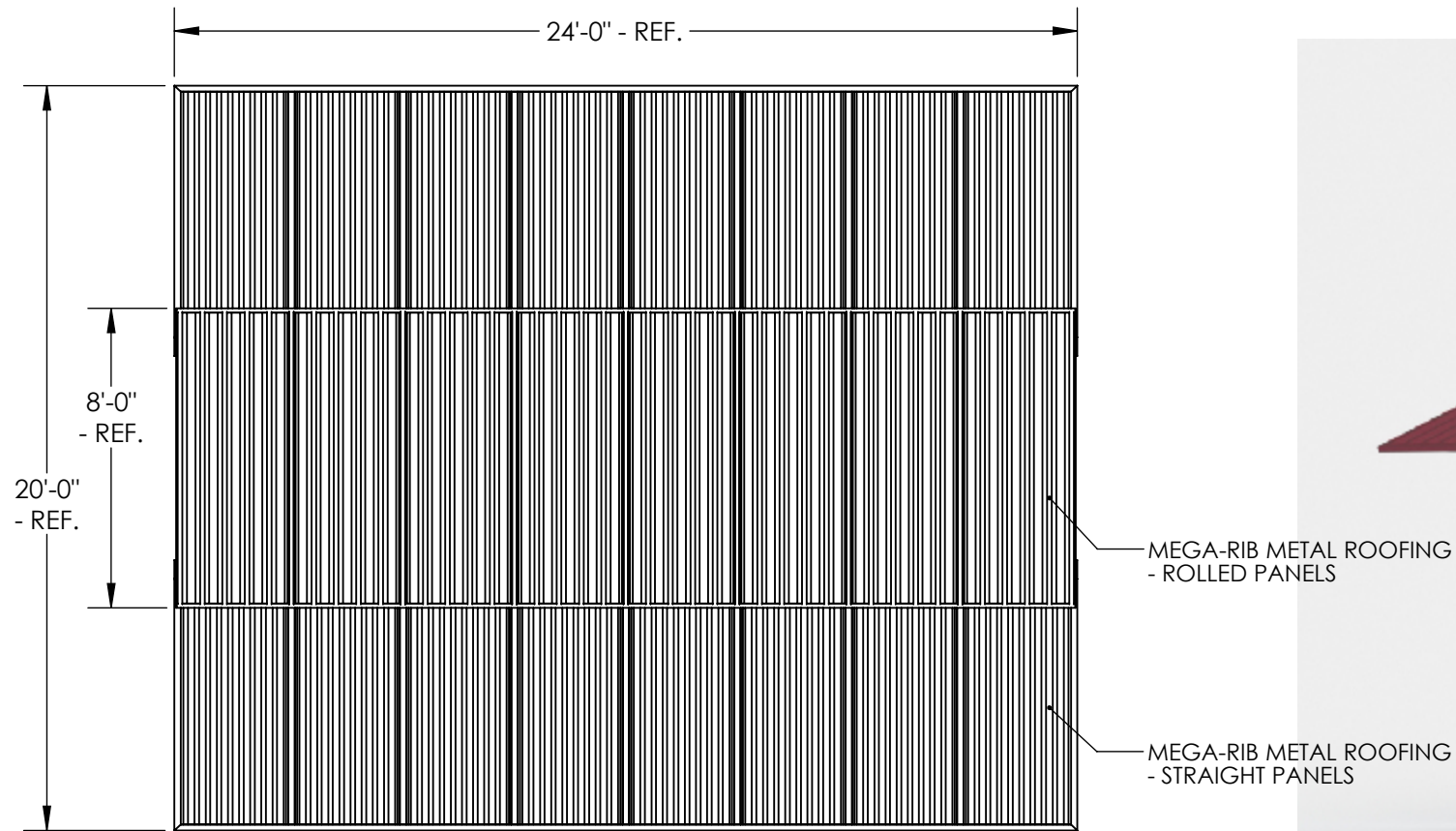


THIS IS A CONCEPT DRAWING, DIMENSIONS SHOWN ARE REPRESENTATIVE. TO ADAPT THIS CONCEPT TO MEET PROJECT SPECIFIC DESIGN REQUIREMENTS, FORWARD YOUR REQUEST TO POLIGON CUSTOMER SERVICE.

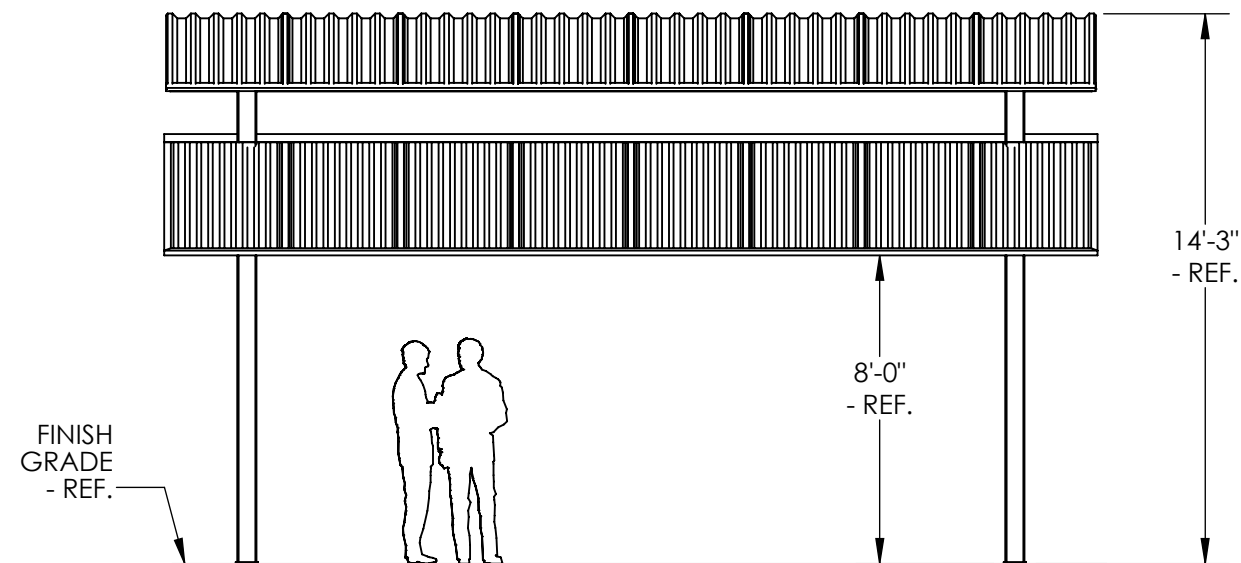


PORTERCORP HAS EARNED A **PCI-4000 CERTIFICATION** FROM THE GLOBALLY RECOGNIZED POWDER COATING INSTITUTE (PCI). PCI-4000 IS A QUALITY MANAGEMENT STANDARD AND CERTIFICATION SET. AS A CERTIFIED COATER, THIS PROGRAM MAKES PORTERCORP A LEADER IN THE INDUSTRY.

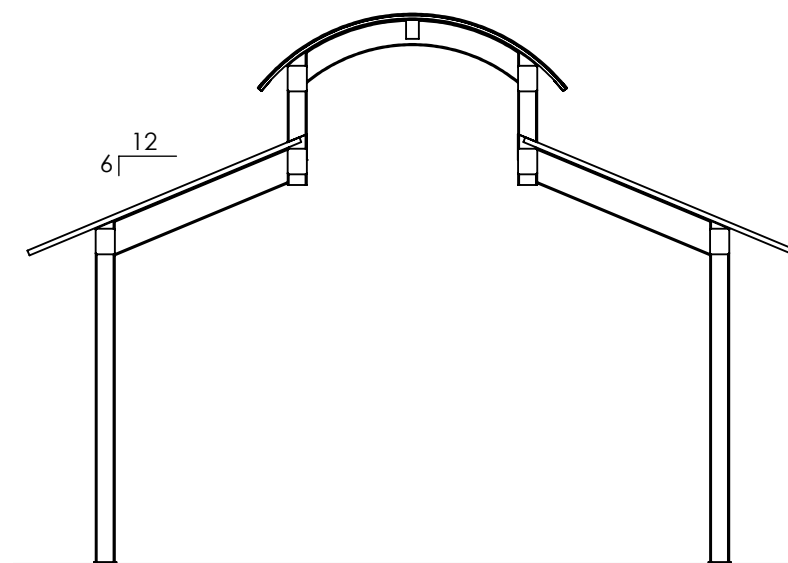
**FRAME AND ORNAMENTATION FINISH:** MEMBERS SHOT BLASTED TO NEAR WHITE CONDITION (SSPC SP-10), WASHED AND SEALED IN A PHOSPHATE SPRAY, COATED WITH A SPECIAL EPOXY PRIMER POWDER COAT BASE, COATED WITH A SUPER DURABLE TGIC POLYESTER POWDER AND OVEN CURED.  
**OPTIONAL UNDERCOAT:** EPOXY E-COAT SYSTEM, USING FULL IMMERSION ELECTRO-DEPOSITION PROCESS.  
 SEE COLOR MATRIX ([WWW.POLIGON.COM](http://WWW.POLIGON.COM)) FOR AVAILABLE COLORS.



TOP VIEW



ELEVATION VIEW



SHELTER MODEL:  
**DB-19: 20X24 W/ ARCED UPPER TIER  
 STEEL SHELTER COLLECTION**

**poligon**<sup>®</sup>

[www.poligon.com](http://www.poligon.com)  
 616-399-1963  
 PORTERCORP, 4240 N. 136th AVE.  
 HOLLAND, MI 49424

**PORTER** CORP.  
 A PLAYCORE Company

PATENTED AND/OR PATENTS PENDING. COPYRIGHT 2007 PORTERCORP HOLLAND, MI 49424