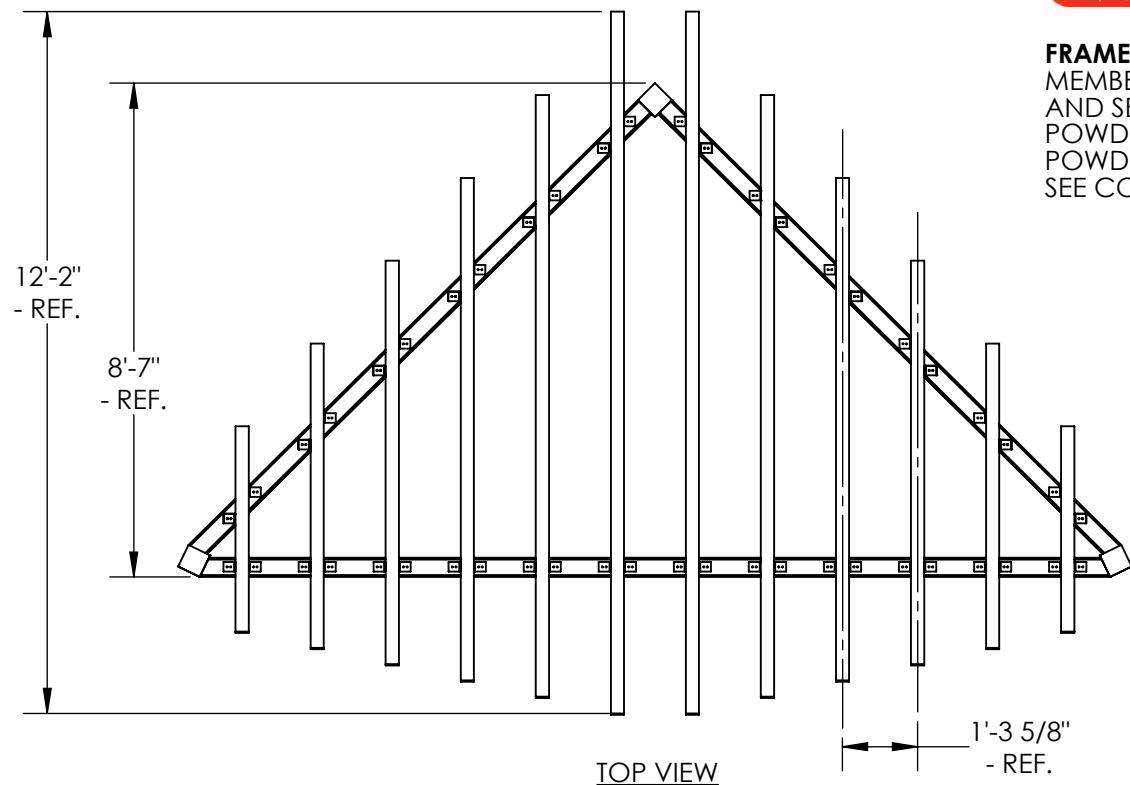


THIS IS A CONCEPT DRAWING, DIMENSIONS SHOWN ARE REPRESENTATIVE. TO ADAPT THIS CONCEPT TO MEET PROJECT SPECIFIC DESIGN REQUIREMENTS, FORWARD YOUR REQUEST TO POLIGON CUSTOMER SERVICE.

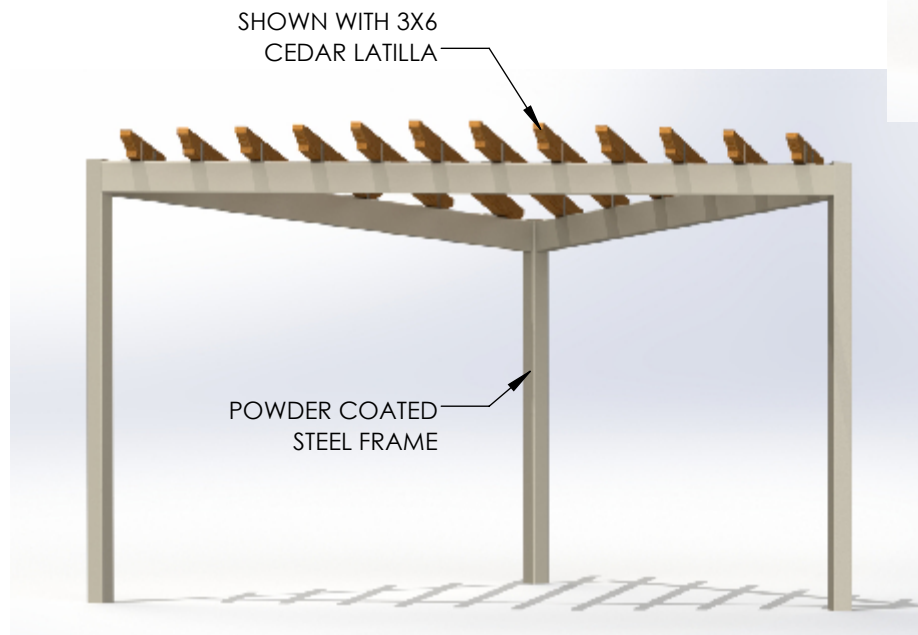


PORTERCORP HAS EARNED A **PCI-4000 CERTIFICATION** FROM THE GLOBALLY RECOGNIZED POWDER COATING INSTITUTE (PCI). QUALITY FINISHING IS CRUTAL TO THE LONG TERM PERFORMANCE OF SHELTER STRUCTURES. THIS CERTIFICATION UNDERSCORES THE COMMITMENT PORTERCORP HAS MADE TO MANUFACTURING QUALITY PRODUCTS.

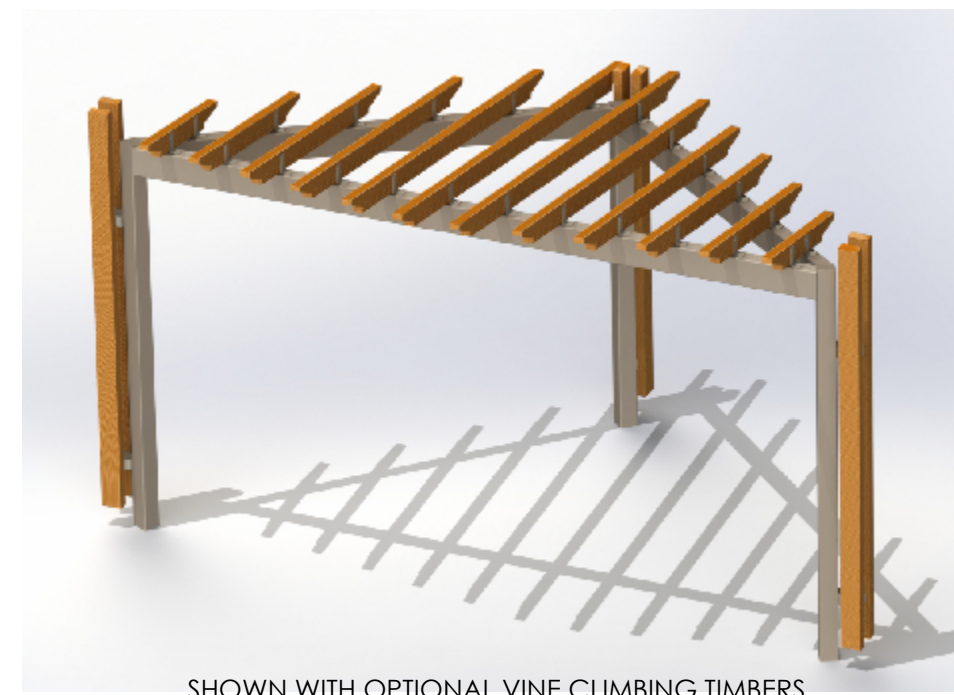
FRAME AND ORNAMENTATION FINISH:
MEMBERS SHOT BLASTED TO NEAR WHITE CONDITION (SSPC SP-10), WASHED AND SEALED IN A PHOSPHATE SPRAY, COATED WITH AN EPOXY PRIMER POWDER COAT BASE, OVER COATED WITH A SUPER DURABLE TGIC POLYESTER POWDER AND OVEN CURED.
SEE COLOR MATRIX (WWW.POLIGON.COM) FOR AVAILABLE COLORS.



TOP VIEW

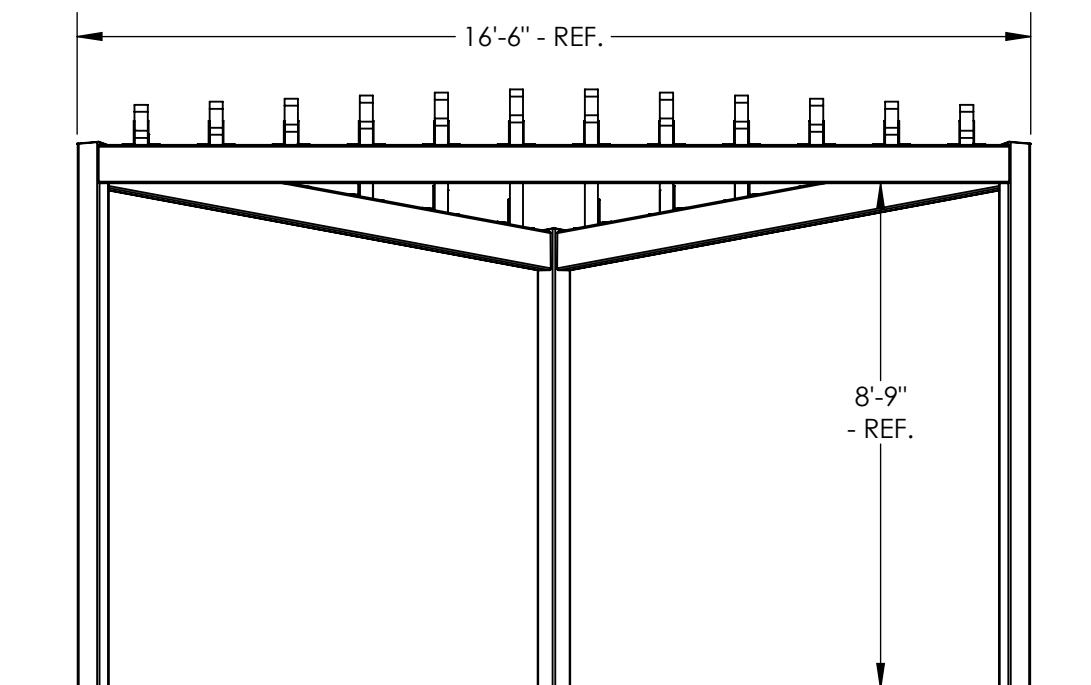


SHOWN ABOVE WITH OPTIONAL VINE CLIMBING TIMBERS AND BENCHES

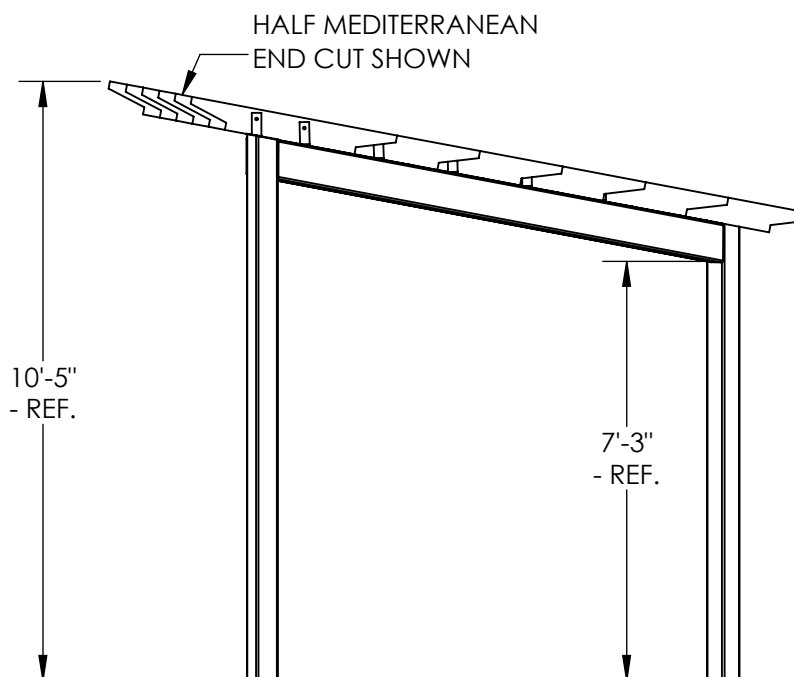


SHOWN WITH OPTIONAL VINE CLIMBING TIMBERS

WOOD SPECIES AND FINISH OPTIONS:
CEDAR - 3X6, 4X6 AND 4X8 SIZES
FINISH - NATURAL, ROUGH AND NATURAL, SMOOTH



FRONT VIEW



SIDE VIEW

SHELTER MODEL:
DB119: 16' X 12' TRIANGULAR PREMIER WOOD TRELLIS COLLECTION

poligon[®]

www.poligon.com
616-399-1963
PORTER CORP., 4240 N. 136th AVE.
HOLLAND, MI 49424

PORTER CORP.
a PLAYCORE Company