

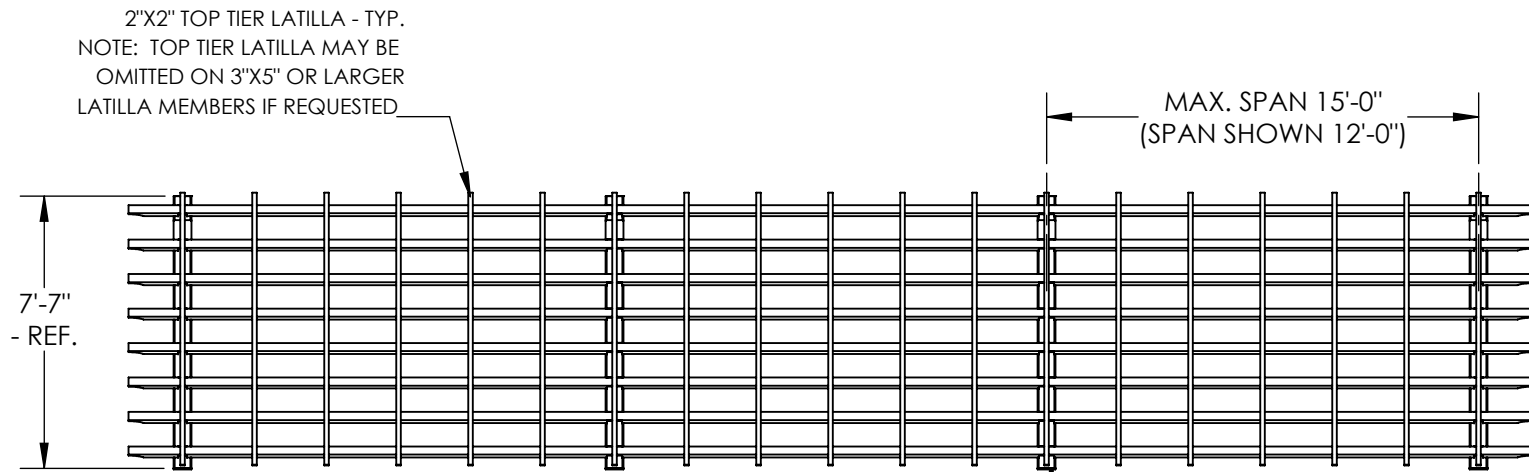
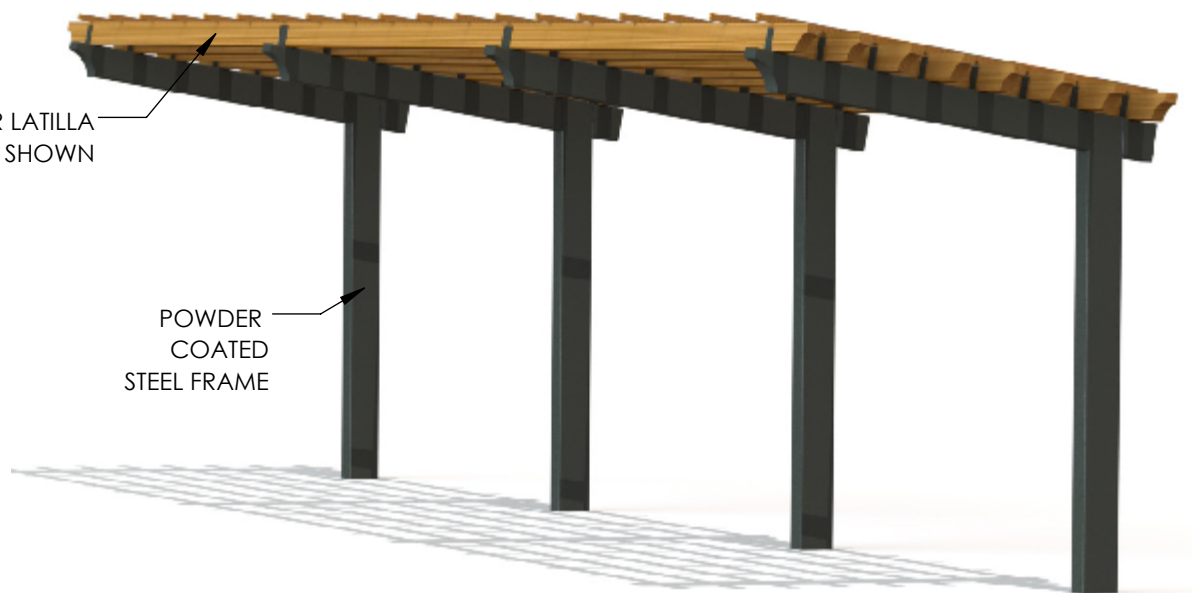
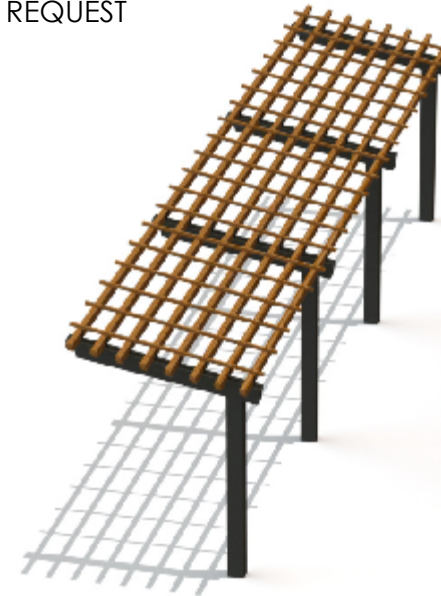


PORTERCORP HAS EARNED A **PCI-4000 CERTIFICATION** FROM THE GLOBALLY RECOGNIZED POWDER COATING INSTITUTE (PCI). QUALITY FINISHING IS CRUTAL TO THE LONG TERM PERFORMANCE OF SHELTER STRUCTURES. THIS CERTIFICATION UNDERSCORES THE COMMITMENT PORTERCORP HAS MADE TO MANUFACTURING QUALITY PRODUCTS.

THIS IS A CONCEPT DRAWING, DIMENSIONS SHOWN ARE REPRESENTATIVE. TO ADAPT THIS CONCEPT TO MEET PROJECT SPECIFIC DESIGN REQUIREMENTS, FORWARD YOUR REQUEST TO POLIGON CUSTOMER SERVICE.

GENERAL FRAME NOTES:

1. ALL STEEL COMPONENTS (STRUCTURAL MEMBERS, ORNAMENTATION, RAILING, ETC.) ARE POWDER COATED IN THE FOLLOWING MANNER (UNLESS REQUESTED OTHERWISE):
 - SHOT BLASTED TO NEAR WHITE CONDITION (SSPC SP-10)
 - WASHED AND SEALED IN A PHOSPHATE SPRAY
 - PRIME-COATED WITH POLI-5000 HIGH PERFORMANCE POWDER APPLIED EPOXY
 - TOP-COATED WITH SUPER-DURABLE TGIC POLYESTER POWDER AND OVEN CURED
2. SEE POLIGON.COM FOR COLOR OPTIONS



TOP VIEW

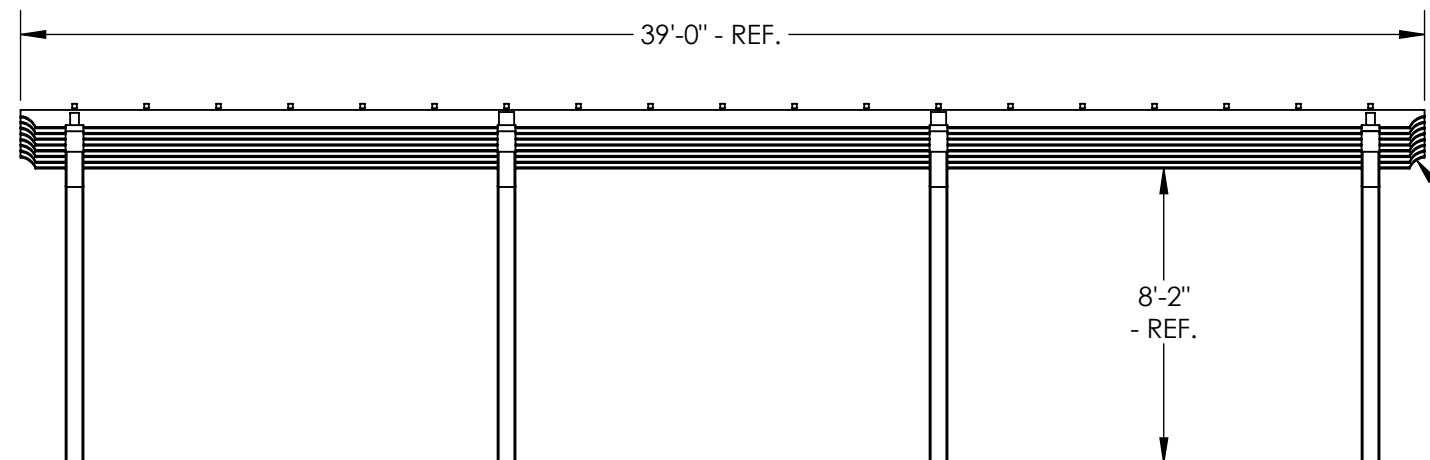
MAX. SPAN 15'-0"
(SPAN SHOWN 12'-0")

3 BAY TRELLIS SHOWN IS ILLUSTRATIVE. AVAILABLE IN BOTH SINGLE AND MULTIPLE BAY UNITS.

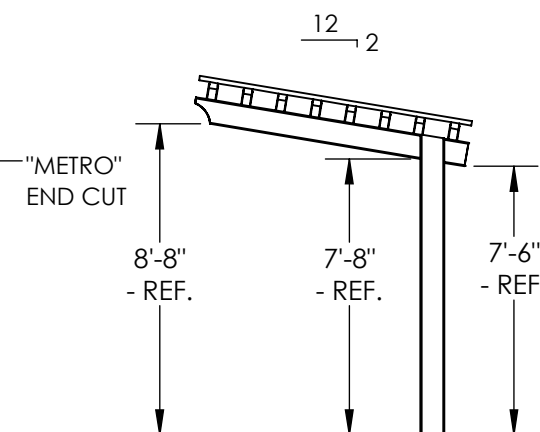
WOOD SPECIES AND FINISH OPTIONS:

- CEDAR- 2"X6" AND 3"X6" NOM. SIZES
FINISH- 1) NATURAL, ROUGH
 2) NATURAL, SMOOTH
- IPE - 1 1/2"X6" NOM.
FINISH- NATURAL, SMOOTH
- MAHOGANY - 1 1/2"X6" NOM.
FINISH- NATURAL, SMOOTH

FOR TRUSS END AND LATILLA END CUT OPTIONS SEE: " SHELTER OPTIONS/DECORATIVE" LOCATION ON POLIGON WEB SITE.



SIDE VIEW



SIDE VIEW

SHELTER MODEL:
DB112: 8' X 39' TRELLIS
PREMIER WOOD TRELLIS COLLECTION



www.poligon.com
616-399-1963
PORTERCORP, 4240 N. 136th AVE,
HOLLAND, MI 49424

