

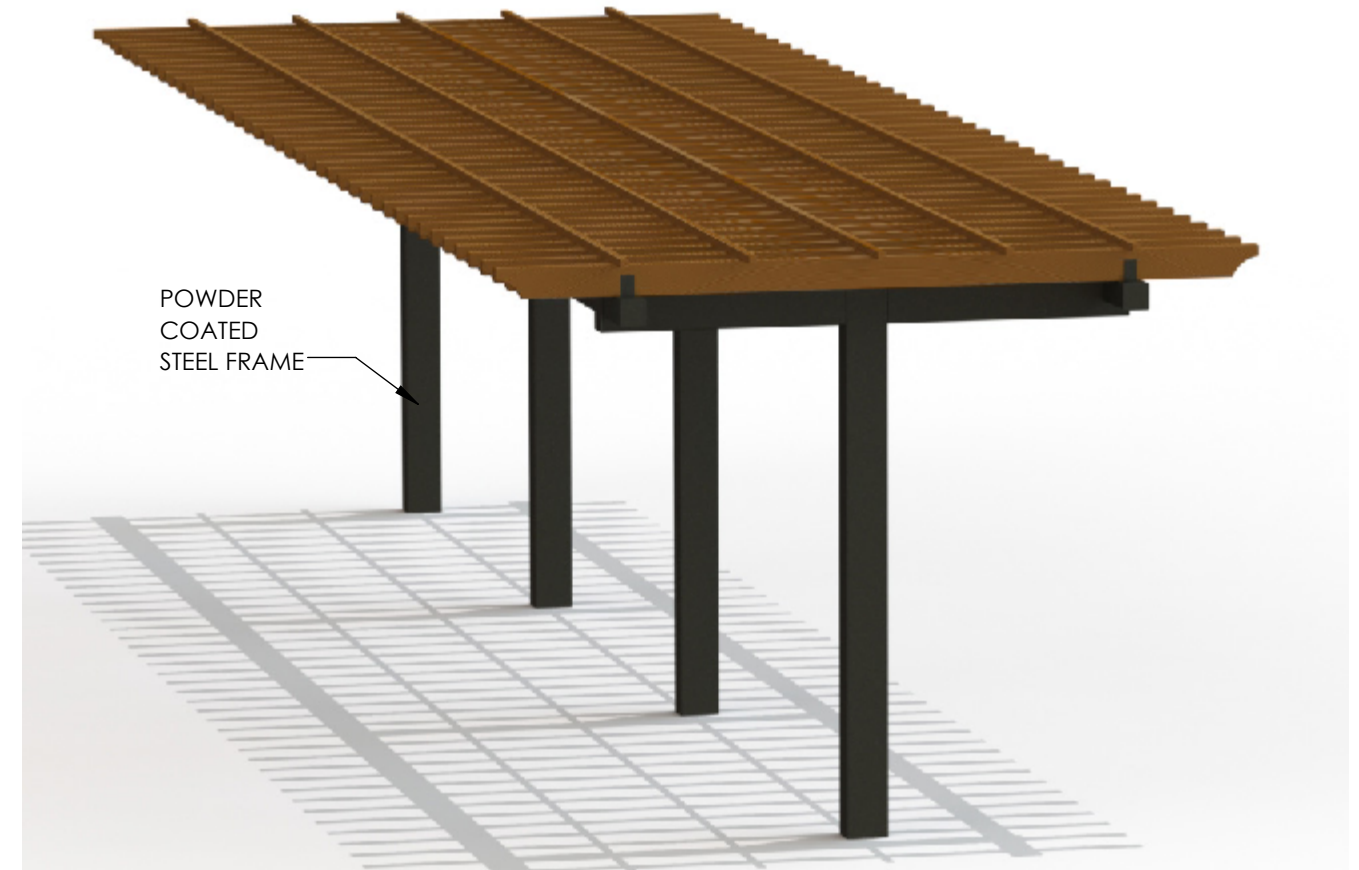
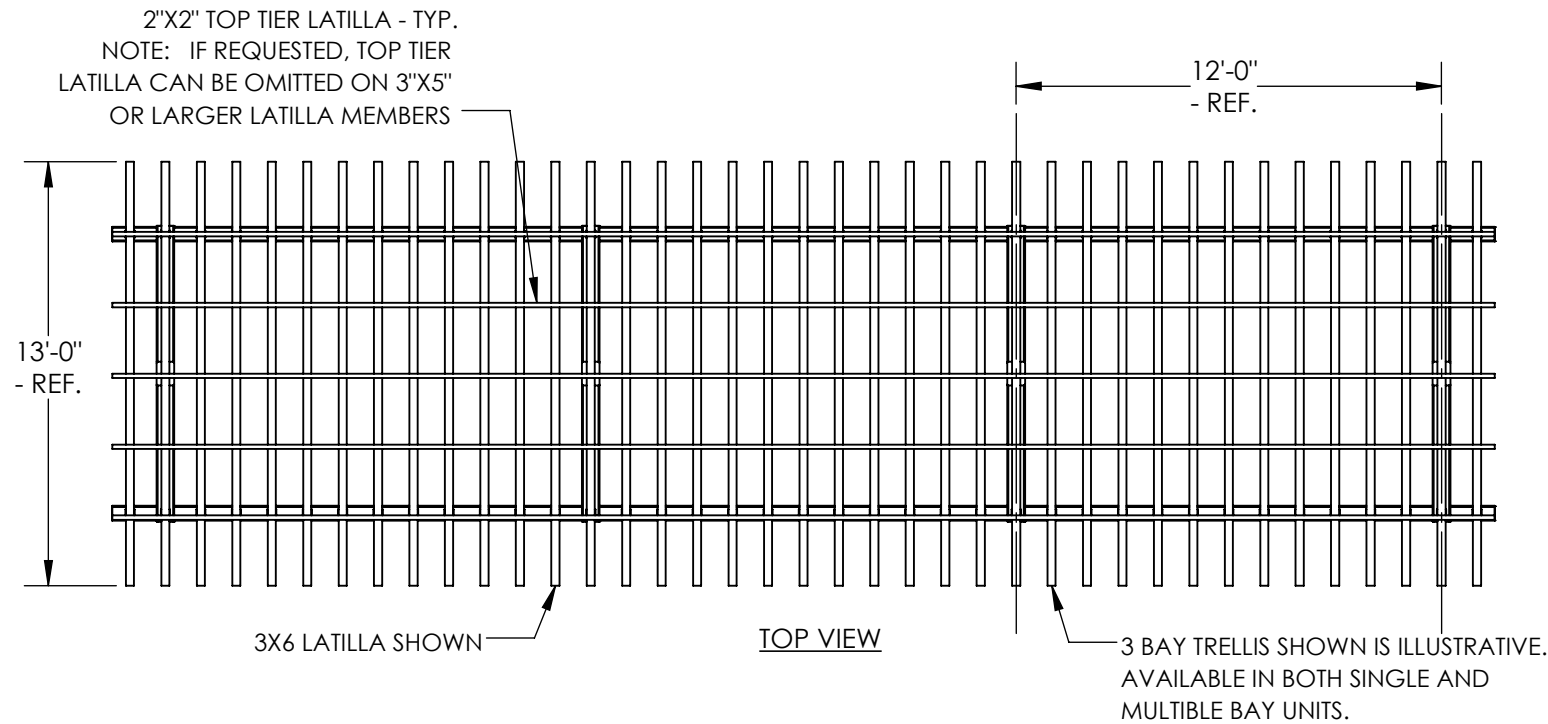
THIS IS A CONCEPT DRAWING, DIMENSIONS SHOWN ARE REPRESENTATIVE. TO ADAPT THIS CONCEPT TO MEET PROJECT SPECIFIC DESIGN REQUIREMENTS, FORWARD YOUR REQUEST TO POLIGON CUSTOMER SERVICE.



PORTERCORP HAS EARNED A **PCI-4000 CERTIFICATION** FROM THE GLOBALLY RECOGNIZED POWDER COATING INSTITUTE (PCI). QUALITY FINISHING IS CRUTAL TO THE LONG TERM PERFORMANCE OF SHELTER STRUCTURES. THIS CERTIFICATION UNDERSCORES THE COMMITMENT PORTERCORP HAS MADE TO MANUFACTURING QUALITY PRODUCTS.

**GENERAL FRAME NOTES:**

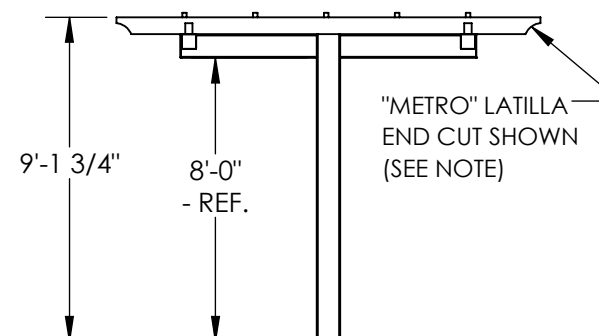
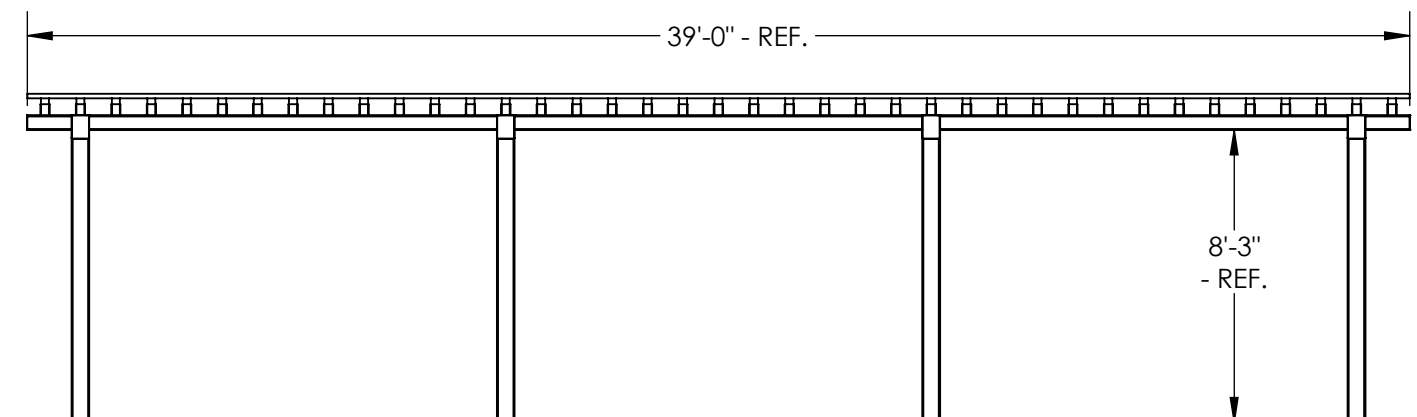
- ALL STEEL COMPONENTS (STRUCTURAL MEMBERS, ORNAMENTATION, RAILING, ETC.) ARE POWDER COATED IN THE FOLLOWING MANNER (UNLESS REQUESTED OTHERWISE):
  - SHOT BLASTED TO NEAR WHITE CONDITION (SSPC SP-10)
  - WASHED AND SEALED IN A PHOSPHATE SPRAY
  - PRIME-COATED WITH POLI-5000 HIGH PERFORMANCE POWDER APPLIED EPOXY
  - TOP-COATED WITH SUPER-DURABLE TGIC POLYESTER POWDER AND OVEN CURED
- SEE [POLIGON.COM](http://POLIGON.COM) FOR COLOR OPTIONS



**WOOD SPECIES AND FINISH OPTIONS:**

- CEDAR- 2"X6" AND 3"X6" NOM. SIZES  
 FINISH- 1) NATURAL, ROUGH  
 2) NATURAL, SMOOTH
- IPE - 1 1/2"X6" NOM.  
 FINISH- NATURAL, SMOOTH
- MAHOGANY - 1 1/2"X6" NOM.  
 FINISH- NATURAL, SMOOTH

FOR TRUSS END AND LATILLA END CUT OPTIONS SEE: "SHELTER OPTIONS/DECORATIVE" LOCATION ON POLIGON WEB SITE.



SHELTER MODEL:

**DB111: 13X39**  
**PREMIER WOOD TRELLIS COLLECTION**



**poligon**<sup>®</sup>

Designs and calculations of Poligon buildings are protected under copyright laws and patents and may not be used in the construction or design of a building that is not supplied by Poligon.

by **PORTERCORP**

PORTERCORP, 4240 N. 136th AVE, HOLLAND, MI 49424

[www.poligon.com](http://www.poligon.com) 616-399-1963