

THIS IS A CONCEPT DRAWING, DIMENSIONS SHOWN ARE REPRESENTATIVE. TO ADAPT THIS CONCEPT TO MEET PROJECT SPECIFIC DESIGN REQUIREMENTS, FORWARD YOUR REQUEST TO POLIGON CUSTOMER SERVICE.



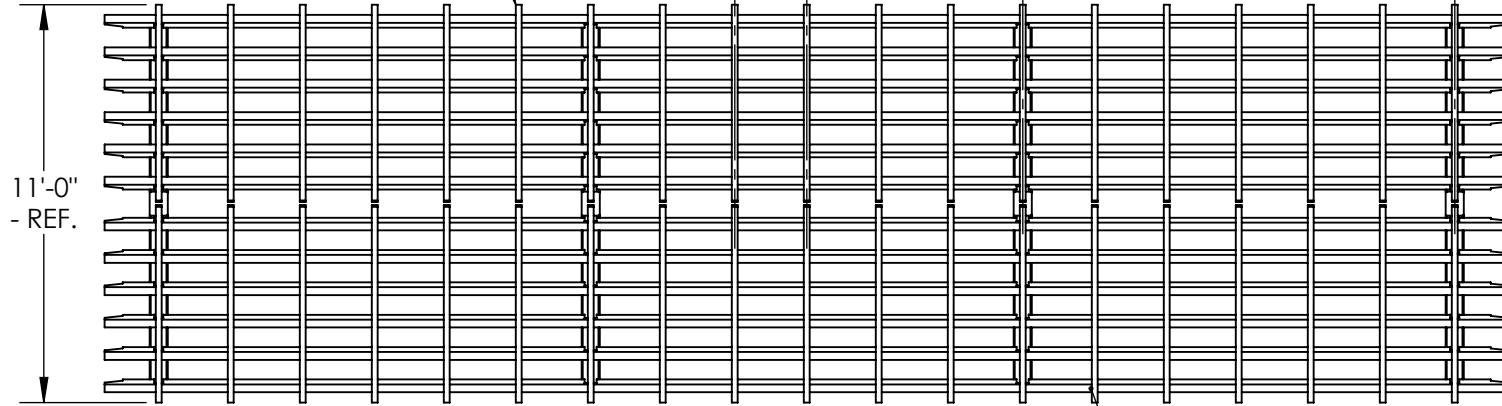
PORTERCORP HAS EARNED A **PCI-4000 CERTIFICATION** FROM THE GLOBALLY RECOGNIZED POWDER COATING INSTITUTE (PCI). QUALITY FINISHING IS CRUTAL TO THE LONG TERM PERFORMANCE OF SHELTER STRUCTURES. THIS CERTIFICATION UNDERSCORES THE COMMITMENT PORTERCORP HAS MADE TO MANUFACTURING QUALITY PRODUCTS.

**GENERAL FRAME NOTES:**

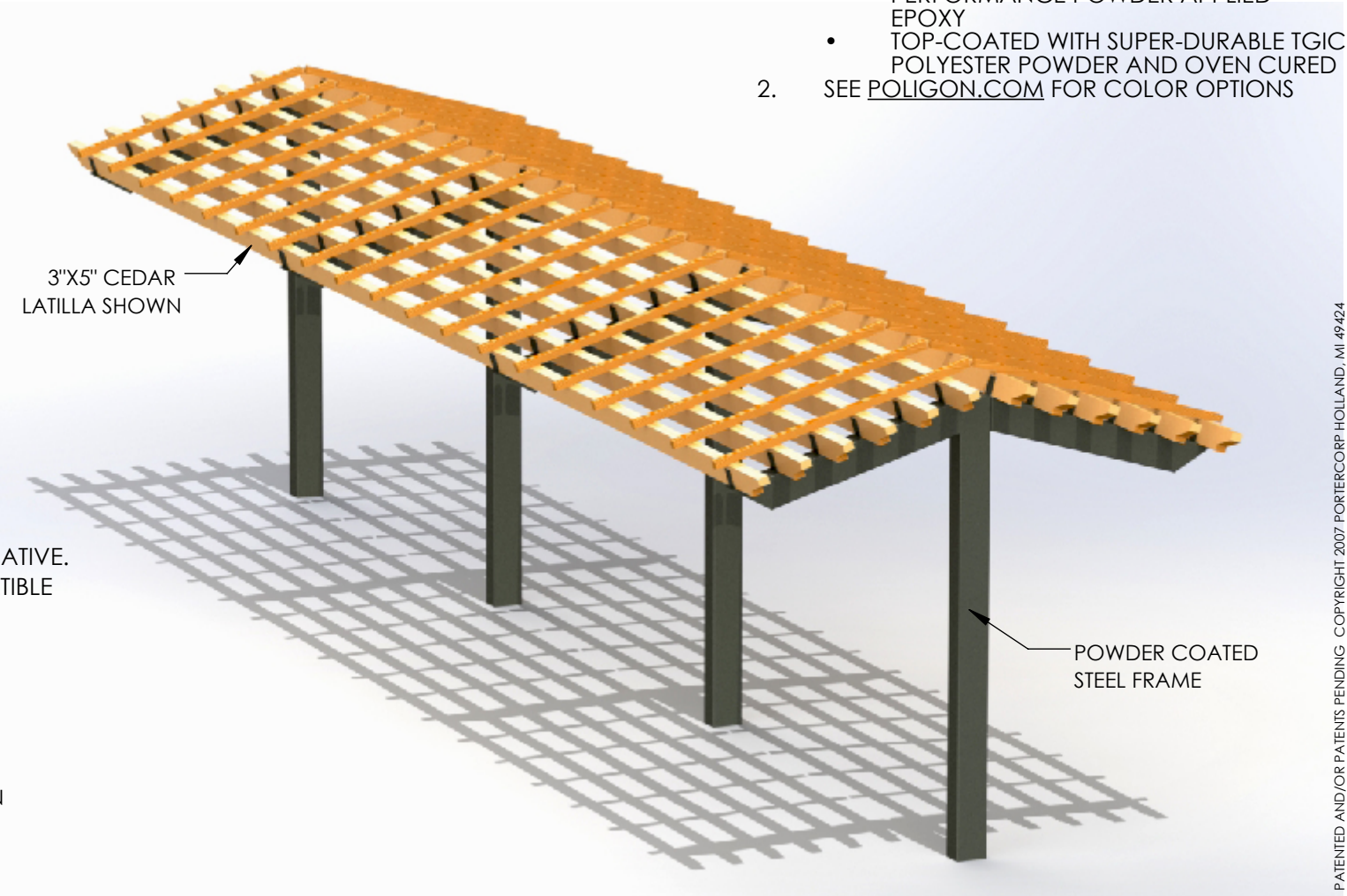
1. ALL STEEL COMPONENTS (STRUCTURAL MEMBERS, ORNAMENTATION, RAILING, ETC.) ARE POWDER COATED IN THE FOLLOWING MANNER (UNLESS REQUESTED OTHERWISE):
  - SHOT BLASTED TO NEAR WHITE CONDITION (SSPC SP-10)
  - WASHED AND SEALED IN A PHOSPHATE SPRAY
  - PRIME-COATED WITH POLI-5000 HIGH PERFORMANCE POWDER APPLIED EPOXY
  - TOP-COATED WITH SUPER-DURABLE TGIC POLYESTER POWDER AND OVEN CURED
2. SEE [POLIGON.COM](http://POLIGON.COM) FOR COLOR OPTIONS

2"X2" TOP TIER LATILLA - TYP.  
NOTE: TOP TIER LATILLA MAY BE OMITTED ON 3"X5" OR LARGER LATILLA MEMBERS IF REQUESTED

2'-0" - REF.  
MAX. SPAN - 15'-0"  
(SPAN SHOWN 12'-0")



TOP VIEW



3"X5" CEDAR LATILLA SHOWN

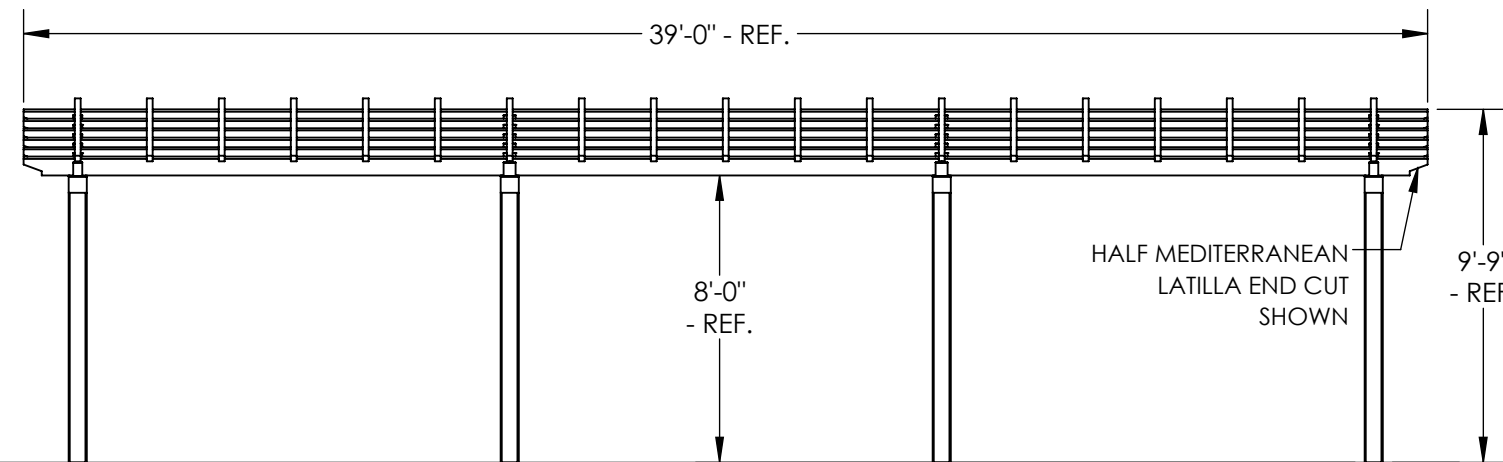
POWDER COATED STEEL FRAME

3 BAY TRELLIS SHOWN IS ILLUSTRATIVE. AVAILABLE IN SINGLE AND MULTIPLE BAY UNITS.

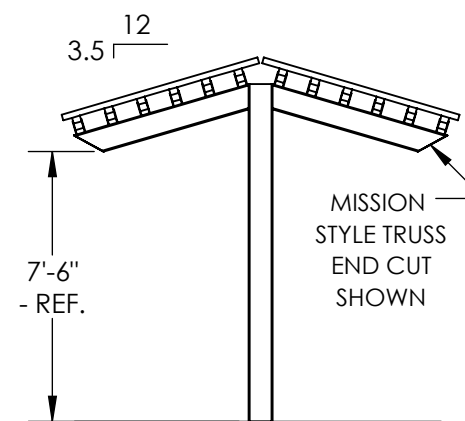
**WOOD SPECIES AND FINISH OPTIONS:**

- CEDAR- 2"X6" AND 3"X6" NOM. SIZES  
FINISH- 1) NATURAL, ROUGH  
          2) NATURAL, SMOOTH
- IPE - 1 1/2"X6" NOM.  
FINISH- NATURAL, SMOOTH
- MAHOGANY - 1 1/2"X6" NOM.  
FINISH- NATURAL, SMOOTH

FOR TRUSS END AND LATILLA END CUT OPTIONS SEE: "SHELTER OPTIONS/DECORATIVE" LOCATION ON POLIGON WEB SITE.



FRONT VIEW



END VIEW

SHELTER MODEL:  
**DB109: 11'X39'**  
**PREMIER WOOD TRELLIS COLLECTION**



[www.poligon.com](http://www.poligon.com)  
616-399-1963  
PORTERCORP, 4240 N. 136th AVE,  
HOLLAND, MI 49424

