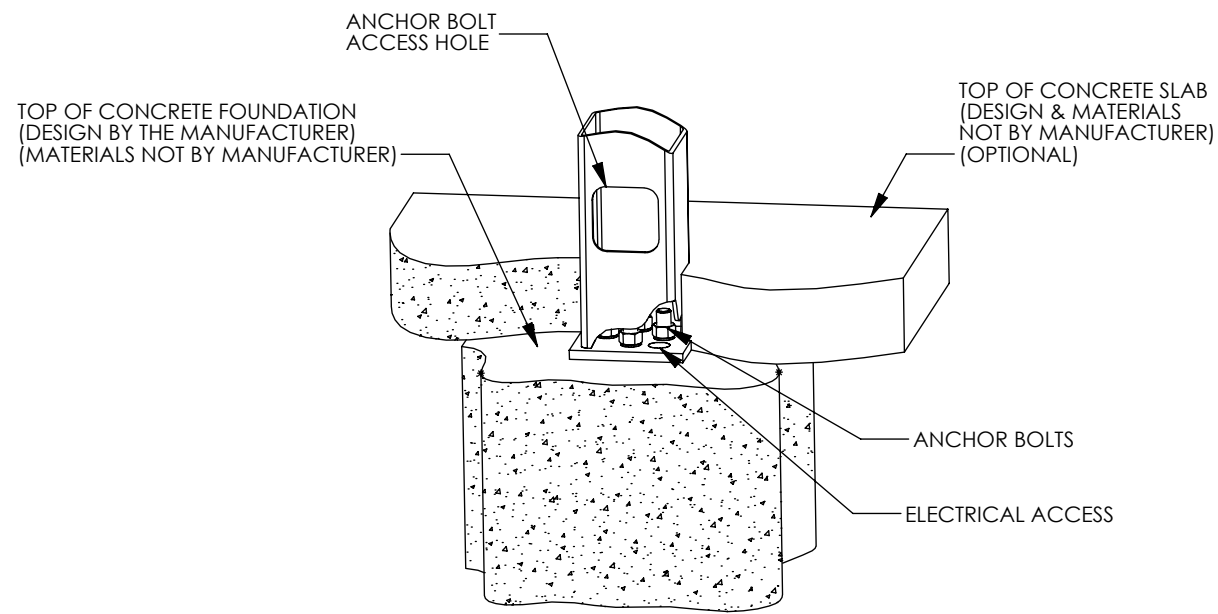
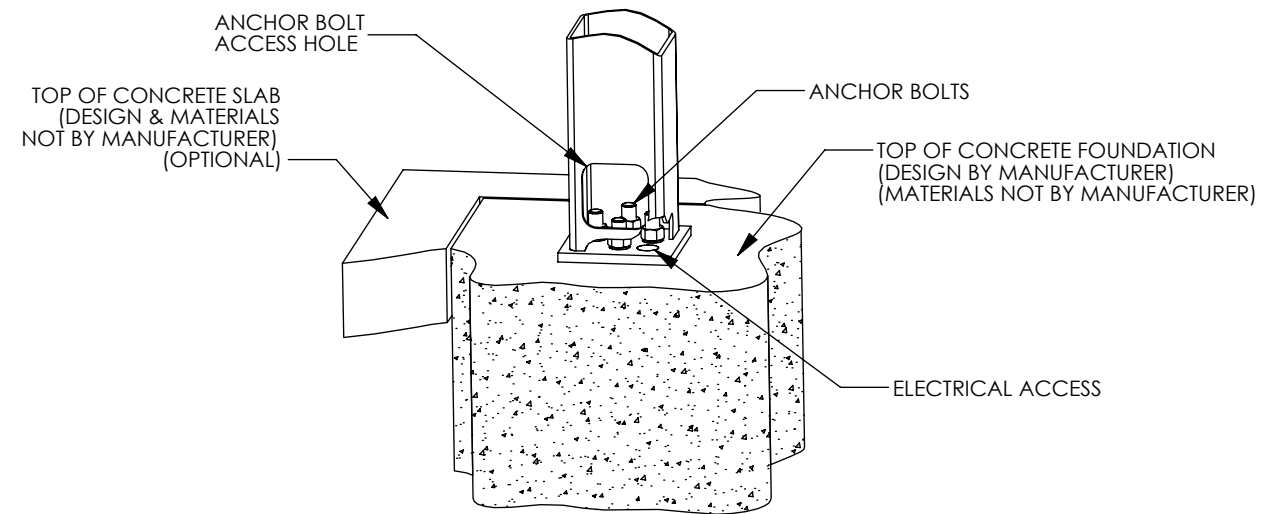


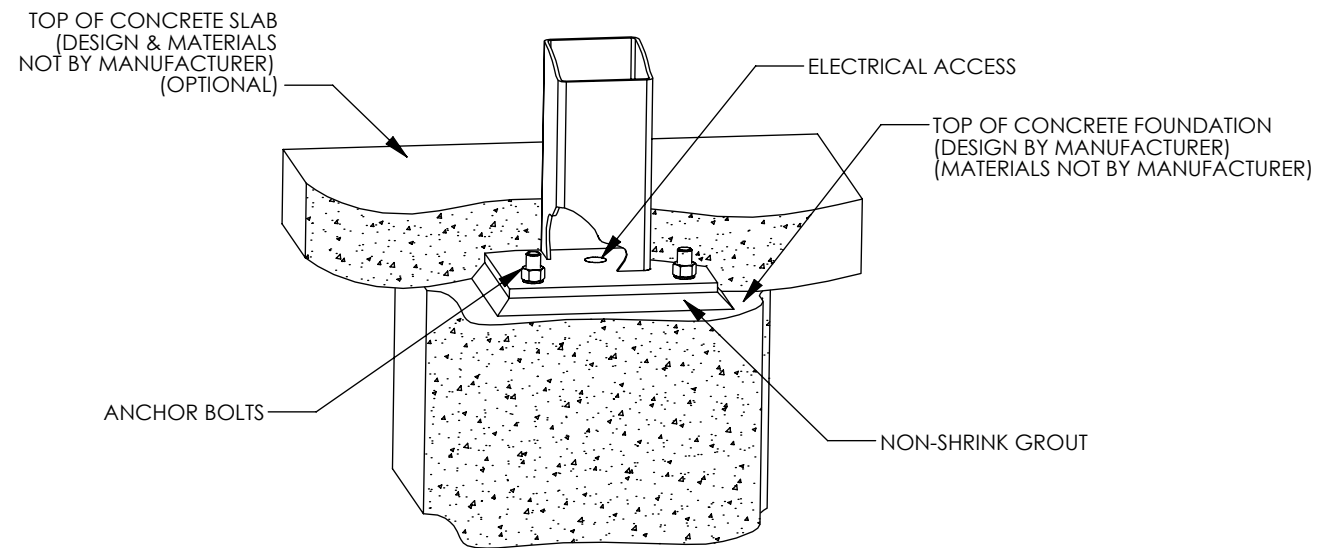
ENGINEERING WILL DETERMINE THE REQUIRED ANCHOR BOLT LAYOUT WHEN DESIGNING THIS STRUCTURE



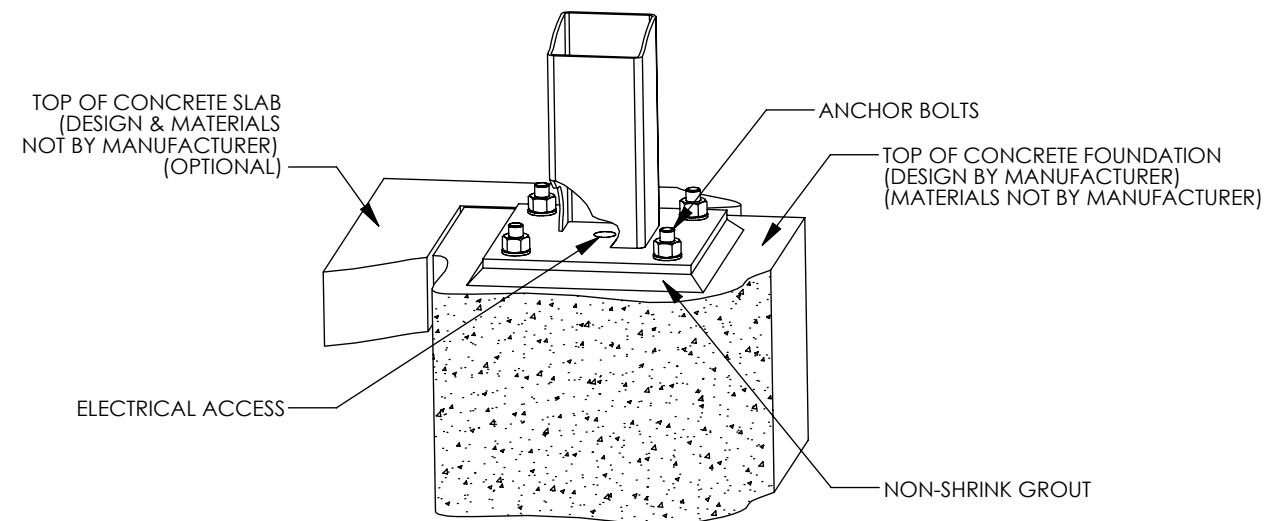
**INTERNAL ANCHOR BOLTS
(BELOW FINISH GRADE)**



**INTERNAL ANCHOR BOLTS
(AT FINISH GRADE)**



**EXTERNAL ANCHOR BOLTS
(BELOW FINISH GRADE)**



**EXTERNAL ANCHOR BOLTS
(AT FINISH GRADE)**

NOTES:

1. THE REQUIRED ANCHOR BOLT LAYOUT IS A FUNCTION OF THE PROJECT SPECIFIC ENGINEERING REQUIREMENTS.
2. ENGINEERING WILL DETERMINE THE REQUIRED ANCHOR BOLT LAYOUT BECAUSE IT CAN DRAMATICALLY AFFECT THE STRUCTURE'S DESIGN AND PERFORMANCE.
3. THE ANCHOR BOLT LAYOUT CAN IMPACT THE CONSTRUCTION SEQUENCE (I.E. THE TIMING OF THE SLAB INSTALLATION), SO PLEASE USE THE FOLLOWING INFORMATION AS A GENERAL GUIDE:
 - INTERNAL ANCHOR BOLTS ARE PROVIDED ON THE VAST MAJORITY OF STRUCTURES
 - EXTERNAL ANCHOR BOLTS ARE TYPICALLY ONLY REQUIRED IN HIGH SEISMIC REGIONS, ON SOME LARGE STRUCTURES (> 2000 SQ FT), AND ON CANTILEVERED STRUCTURES.
4. IF YOUR PROJECT HAS UNIQUE BASE PLATE, SLAB, OR FOUNDATION REQUIREMENTS, PLEASE COMMUNICATE THAT INFORMATION WHEN PLACING AN ENGINEERING ORDER.

**STOP!!
NOT FOR CONSTRUCTION**

**USE FOR PRELIMINARY
PLANNING AND ESTIMATING
ONLY**