



Everest Wood Structures

Large-Span Wood Structures

Poligon's Everest Wood Structures combine long lasting durability with a beautiful aesthetic. Made from fabricated southern pine laminated timbers, Everest structures are able to clear large spans without the need for intermediate support. Everest structures also have a high center pitch making them ideal for athletics, farmers markets, and show arenas. Each structure is prefabricated and stained for simplified installation.

Typical Applications

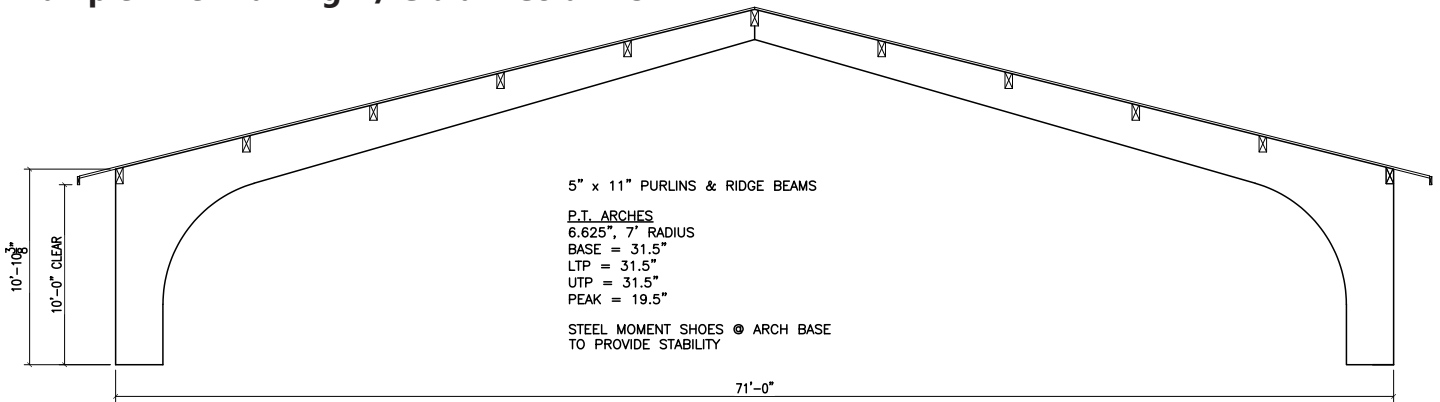
- Basketball courts
- Hockey rinks
- Pickle ball courts
- Farmers markets
- Large picnic areas
- Animal show arenas

Features

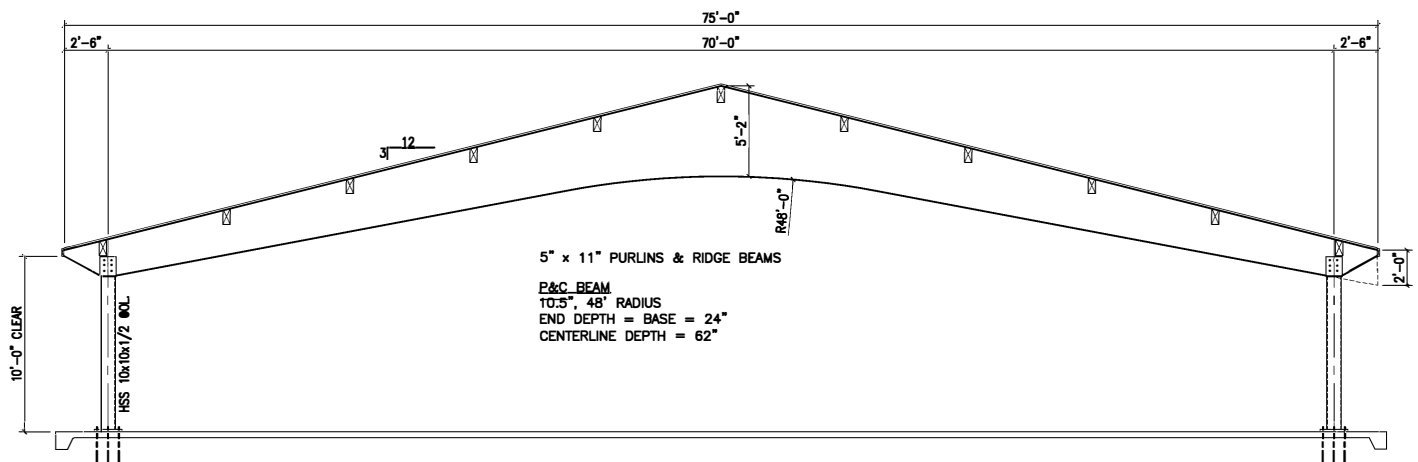
- Clear spans from 50' to as much as 100'
- Glulam columns or trusses and purlins
- Architectural appearance grade
- Decking is SYP #1 2x6 deck boards
- Metal roof deck (multi rib or standing seam) or shingles
- Pressure treated (as needed) glulam arch halves, cover boards, and fascia members
- Optional HSS steel tube columns (available galvanized or powder coated)
- Galvanized steel surface mounting shoes and connecting hardware
- Includes factory stain for glulam and decking
- Engineered drawings with PE stamp and calculations
- Excludes anchor bolts and tie rods
- Structures designed over high humidity/moisture (hockey rink) include pressure treated deck boards and purlins



Example Line Drawing w/ Glulam Columns



Example Line Drawing w/ HSS Steel Tube Columns



Stain Color Options

